

CENTURION LEISURE

OUTDOOR KITCHENS

FOR THE ONLY OUTDOOR COOKING
YOU'LL EVER NEED



D E S I G N | C O N S T R U C T I O N | I N N O V A T I O N

CENTURION LEISURE

Centurion Leisure are delighted to announce that we've teamed up with Bull Outdoor Products in the USA to bring you a range of outdoor kitchens of the very highest quality.

Let's face it if anyone knows everything there is to know about outdoor cooking its the Americans. They did invent the Barbecue after all!

That American know-how has meant that Bull Outdoor Kitchens produce a quality product for a reasonable cost. They can achieve this because they only focus only on the barbecue business and by focusing on that core element, they can guarantee continuous improvement in quality and performance.

They work closely with designers, builders and contractors to make sure that our their products are in line with (and often exceed) the market requirements.

The perfect pool deserves the perfect outdoor kitchen to go with it.

Contact us to find out more.



BULL 
Bull Outdoor Products Inc.

For most people, tinkering with and testing an open flame grill in your garage is not a good idea. But Mark Nureddine is not most people. And his efforts with a grill in a closed environment were the genesis to a company that would become one of the leading manufacturers of grill islands in the world. Under Nureddine’s direction and leadership for almost three decades, Bull Outdoor Products has grown to provide grills, islands and accessories to over 900 dealers and distributors throughout North America, as well as 15 countries. From a garage to countless backyards around the world, Bull Outdoor Products are now the gold standard when it comes to unBulleivable outdoor cooking.



Bull Outdoor Products President, **Mark Nureddine**

KNOW QUALITY

Bull’s award-winning grills are designed, engineered, and master-crafted to meet certifications from CSA and CE, which means anyone with a Bull grill can take comfort in knowing that they’re cooking with the highest quality, premium grill on the market.

KNOW COMMITMENT

It’s not enough to just say you’re committed, Bull backs it up. From the 304–2mm stainless steel used on every grill to the Lifetime Warranty* that covers fire boxes and cooking grates, Bull is committed to going the extra mile to provide you the ultimate outdoor cooking experience.

KNOW SERVICE

Strong continuing growth has led to the new Bull Global Headquarter in Lodi, CA. This 50,000 sq. ft. stocking warehouse/showroom increases Bull’s footprint in the western states, and compliments Bull’s production/service facilities in Rialto, CA and Athens, TN.

Bull provides a premium outdoor cooking experience that is manufactured with the highest quality materials. Bull maintains a complete in-house parts department with knowledgeable specialists available to answer any question imaginable. When you purchase a Bull Outdoor product, not only will you know it is made with expert precision, but you’ll have Bull’s dependable and responsive service department waiting to assist you.

Fact is, when you purchase a premium Bull grill, you’re getting a commitment to the highest-quality product and reliable service in the market. Period. Our grills and components are built to last a lifetime and that’s why we guarantee that your Bull grill will be the last one you ever purchase.

** Specific warranty details provided with each Bull product*

And that’s exactly why we say ...

Know Bull.



Bull Outdoor Products Inc.



- 2013 — An A.G. investments subsidiary, AGP Systems Ltd. of A.G. becomes the 1st Bull active dealer in Malta. Established since 1995 and having gathered extensive experience in design, installation and servicing of catering equipment, the Bull brand quickly made its way into the Maltese market. Bull Inc. were encouraged to invest in an European Distribution Project.
- 2014 — The two companies meet for the 1st time in Bull HQ, Rialto CA. An agreement was reached to set up a Distribution hub jointly to serve the EMEA region. As Bull are renowned for their Deliverable Quality Outdoor Kitchens, the construction of these was undertaken by the manufacturing arm of the AGI Group in Malta, Zamco Caterware Ltd. (Est.1975). It's existing plant in Malta and experience in the industry, could guarantee that Bull Outdoor Kitchens produced would be up to the standard expected from the Bull brand.
- 2015 — **Bull Europe was established.**
 The Bull Outdoor Kitchens Team in Malta manufactured it's first Outdoor Kitchens. The Deliverable Outdoor Kitchen concept was a huge success and a numberable standard and custom kitchens were installed in various locations in Malta.
 Bull Europe sponsors the Duke of Edinburgh Award and is presented a recognition award in the presence of HRH The Duke of Edinburgh.
 Bull Europe hosts the first group of candidate Authorised Dealers from Europe in Malta. Many Dealers sign up immediately.
- 2016 — Extensive changes were made to the CE grills and new components were developed by Bull for the EMEA markets.
 Bull Europe sets up at Spoga Gafa in Cologne for the 1st time. Bull was the only booth presenting the Plug & Play Outdoor Kitchen Concept. This gave the company a huge boost and helped the European Distribution Network grow very rapidly.
- 2017 — The Bull Team in Malta mastered the art of working with Solid Ceramic Large format tile known as Gres and are able to clad entire Outdoor Kitchen Counters and Bases.
EMEA Sales Doubled.
- 2018 — In Spoga Gafa 2018, Bull Europe amazed visitors with it's contemporary European style finishes. Bull Europe's distribution network expanded to 25 countries with 11 distributors and over 80 dealers throughout the EMEA.
 Warehousing facilities in Malta increased to 1000 sq. mts.
- 2019 — The Bull Europe Team is enhanced with substantial investment in human resources on the manufacturing floor, logistics, sales, marketing and after-sales service. The Outdoor Kitchen manufacturing facility is doubled in area to cope with the increasing demand.



RELIABULL

TECHNOLOGY BY BULL OUTDOOR PRODUCTS

When you buy a grill, don't you think you should be able to use the whole thing? At Bull Outdoor, we think so. That's why, with the help of the engineering experts at California Polytechnic, we created the ReliaBULL technology.

A TYPICAL GRILL:

Typical grills feature unpredictable heating across the surface.



WITH OUR RELIABULL TECHNOLOGY:

We have eliminated uneven heating on your grill, making your outdoor grilling experience extraordinary.



**This new technology improves heat distribution on your grill by 50%.
The ReliaBULL flame tamers create a more even grilling surface,
eliminating hot and cold spots,
so that you can use your entire grilling surface.**

TAKE A CLOSE LOOK AT THE LAST GRILL HEAD YOU WILL EVER PURCHASE



ANGUS GRILL HEAD



Bull is so confident in its fabulous line-up of premium outdoor grills that Lifetime Warranties* come standard on all fire boxes, cooking grates and on all cast stainless steel burners.



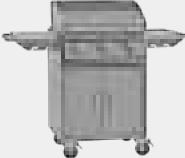

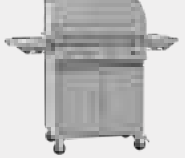





With ten durable grill heads to choose from, Bull has the perfect grill just for you.

* Specific warranty details provided with each Bull product.



BULL GRILLS



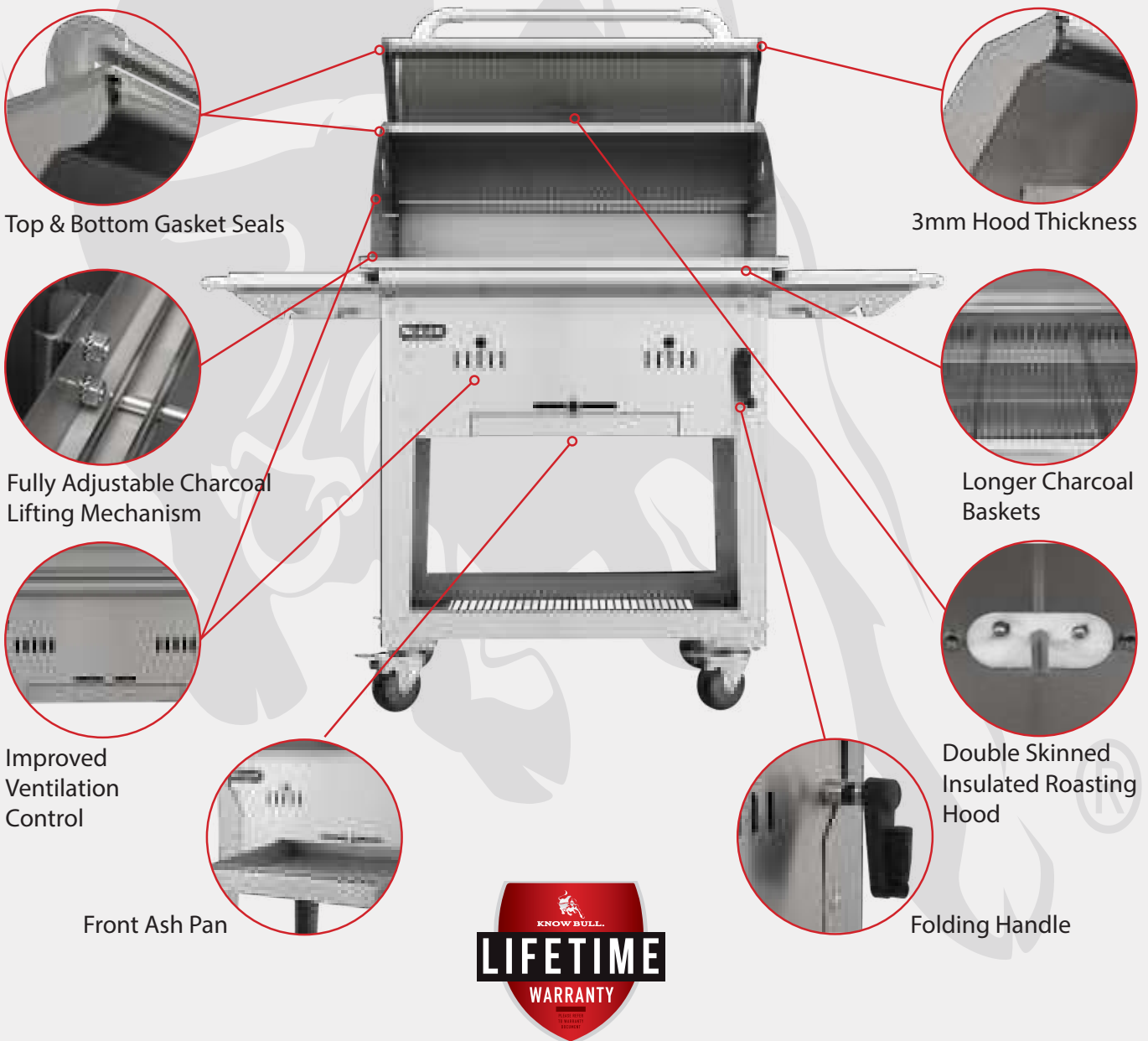
|  |  |  |  |  |
|---|---|---|--|---|
| STANDARD FEATURES | BISON | PLANCHA | STEER | LONESTAR |
| Cooking Power -kWh | Charcoal | 13.00 kWh | 13.00 kWh | 17.60 kWh |
| Burners | | 3 - Welded S/Steel Bar Burners | 3 - Welded S/Steel Bar Burners | 4 - Welded S/Steel Bar Burners |
| Rotisserie Kit | ✗ | ✗ | ✗ | ✗ |
| Cast Stainless Steel Double Side Burners | ✗ | Optional #60010CE Side Kick Side Burner | Optional #60010CE Side Kick Side Burner | Optional #60010CE Side Kick Side Burner |
| Stainless Steel 304 Gauge | 1.70-3.00mm | 1.60mm | 1.60mm | 2.00mm |
| Solid Stainless Steel Grates | ✓ | Chromium Plated Griddle | ✓ | ✓ |
| Lights | ✗ | ✗ | ✗ | ✓ |
| Lower Cooking Surface Upper Cooking Rack | 76cm x 49cm 76cm x 18cm | 57cm x 44cm | 60cm x 49cm 60cm x 18cm | 76cm x 49cm 76cm x 18cm |
|  |  |  |  |  |
| STANDARD FEATURES | ANGUS | BRAHMA | DIABLO | 7 BURNER |
| Cooking Power -kWh | 22.00 kWh | 26.40 kWh | 31.00 kWh | 31.00 kWh |
| Burners | 4 - Cast S/Steel Bar Burners | 5 - Cast S/Steel Bar Burners | 6 - Cast S/Steel Bar Burners | 4 - Cast S/Steel Bar Burners |
| Rotisserie Kit | ✓ | ✓ | ✓ | ✓ |
| Cast Stainless Steel Double Side Burners | Optional #60010CE Side Kick Side Burner | Optional #60010CE Side Kick Side Burner | Optional #60010CE Side Kick Side Burner | ✓ |
| Stainless Steel 304 Gauge | 2.00mm | 2.00mm | 2.00mm | 2.00mm |
| Solid Stainless Steel Grates | ✓ | ✓ | ✓ | ✓ |
| Lights | ✓ | ✓ | ✓ | ✓ |
| Lower Cooking Surface Upper Cooking Rack | 76cm x 49cm 76cm x 18cm | 97cm x 49cm 97cm x 18cm | 115cm x 49cm 115cm x 18cm | 76cm x 49cm 76cm x 18cm |





NEW BISON CHARCOAL GRILL

The New Bison Charcoal Grill has been totally re-engineered for greater performance. The new air vent system and gasket features allows for even greater temperature control with the ability to precisely regulate the oxygen flow into the firebox. The brand new roasting hood is now insulated to achieve greater temperature stability. Now you can set up the Bull Bison for slow and low cooking, or crank it up to get that steak house quality sear on your steaks and chops.



Top & Bottom Gasket Seals

3mm Hood Thickness

Fully Adjustable Charcoal Lifting Mechanism

Longer Charcoal Baskets

Improved Ventilation Control

Double Skinned Insulated Roasting Hood

Front Ash Pan

Folding Handle



BISON CHARCOAL CART



BISON CHARCOAL BUILT-IN



| Standard Features | |
|---|---------------------------|
| Bison Cart | #88000 |
| Bison Built - In | #88787 |
| Recommended Use | Commercial Residential |
| Cooking Power-kWh | Charcoal |
| Burners | ✘ |
| Infrared Back Burner | ✘ |
| Cast Stainless Steel Double Side Burners | ✘ |
| Piezo Igniter | ✘ |
| Zinc Knobs | ✘ |
| Stainless Steel 304 Gauge | 3.00 mm |
| Single Piece SS Dual Lined Hood | ✓ |
| Solid Stainless Steel Grates | ✓ |
| Heavy Duty Thermometer | ✓ |
| Solid S/Steel Warming Rack | ✓ |
| Stainless Steel Rotisserie Motor | ✘ |
| Stainless Steel Grease Tray | ✘ |
| Stainless Steel Side Shelves | ✓ |
| Twin Lighting System | ✘ |
| SS 304 Double Door Storage Cart | ✘ |
| SS 304 Door/Drawer Storage Cart | ✘ |
| Heavy Duty Castors | ✓ |
| CSA Certified | ✓ |
| CE Certified | ✓ |
| Lower Cooking Surface | 76 x 49 cm |
| Upper Cooking Surface | 76 x 18 cm |
| Warranty Details | |
| Fire Box & Roasting Hood | Lifetime |
| Cooking Grates | Lifetime |
| Burners | ✘ |
| Flame Tamers | ✘ |
| Grill | Packing Dimensions |
| Grill Carton Length | 87 cm |
| Grill Carton Width | 70 cm |
| Grill Carton Height | 73.5 cm |
| Grill Carton Cube | 0.45 M ³ |
| Grill Carton Weight | 57.00 Kg |
| Cart Bottom | Packing Dimensions |
| Cart Carton Length | 80 cm |
| Cart Carton Width | 53 cm |
| Cart Carton Height | 18 cm |
| Cart Carton Cube | 0.76 M ³ |
| Cart Carton Weight | 20.00 Kg |

The Bison Grill is constructed of high quality 304 stainless steel, the Bison has an adjustable charcoal basket to set the level of direct heat when grilling. There is a distinct flavour you can only get when using charcoal and along with the Bison and Bull's Competition Blend Charcoal (#66538 sold separately) you can achieve that authentic backyard BBQ taste that will make you the grill master in your neighbourhood.



STEER CART



STEER BUILT-IN



| Standard Features | |
|---|--|
| Steer Cart | #69101CE-LPG #69102CE-NG |
| Steer Built - In | #69008CE-LPG #69009CE-NG |
| Recommended Use | Commercial Residential |
| Cooking Power-kWh | 13.00 kWh |
| Burners | 3-Welded S/Steel Bar Burners |
| Infrared Back Burner | ✗ |
| Cast Stainless Steel Double Side Burners | Optional #60010CE Side Kick Side Burner |
| Piezo Igniter | ✓ |
| Zinc Knobs | ✓ |
| Stainless Steel 304 Gauge | 1.60 mm |
| Single Piece SS Dual Lined Hood | ✓ |
| Solid Stainless Steel Grates | ✓ |
| Heavy Duty Thermometer | ✓ |
| Solid S/Steel Warming Rack | ✓ |
| Stainless Steel Rotisserie Motor | ✗ |
| Stainless Steel Grease Tray | ✓ |
| Stainless Steel Side Shelves | ✓ |
| Twin Lighting System | ✗ |
| SS 304 Double Door Storage Cart | ✓ |
| SS 304 Door/drawer Storage Cart | ✗ |
| Heavy Duty Castors | ✓ |
| CSA Certified | ✓ |
| CE Certified | ✓ |
| Lower Cooking Surface | 60 x 49 cm |
| Upper Cooking Surface | 60 x 18 cm |
| Warranty Details | |
| Fire Box & Roasting Hood | Lifetime |
| Cooking Grates | Lifetime |
| Burners | 5 Years |
| Flame Tamers | 5 Years |
| Grill | Packing Dimensions |
| Grill Carton Length | 70 cm |
| Grill Carton Width | 63 cm |
| Grill Carton Height | 62 cm |
| Grill Carton Cube | 0.27 M ³ |
| Grill Carton Weight | 43.00 Kg |
| Cart Bottom | Packing Dimensions |
| Cart Carton Length | 56 cm |
| Cart Carton Width | 58 cm |
| Cart Carton Height | 69 cm |
| Cart Carton Cube | 0.22 M ³ |
| Cart Carton Weight | 28.00 Kg |

The Steer Grill Cart has doors in the front that allow easy access to your propane tank or other items you want to store. It also provides adequate food preparation space on s/steel shelves on either side of the grill.

PLANCHA CART



PLANCHA BUILT-IN



The Bull Commercial Style Stainless Steel Griddle is a perfect addition to your outdoor kitchen. A chromium plated cook top sits upon three stainless steel burners that pump out 13 kWh of cooking power. From fajitas to pancakes, the food preparation possibilities are virtually endless.

| Standard Features | |
|---|--|
| Plancha Grill Cart | #73008CE-LPG #73009CE-NG |
| Requires #97021Cart Conversion Kit | |
| Plancha/Griddle Built-in | #97008CE-LPG #97009CE-NG |
| Recommended Use | Commercial Residential |
| Cooking Power-kWh | 13.00 kWh |
| Burners | 3-Welded S/Steel Bar Burners |
| Infrared Back Burner | ✗ |
| Cast Stainless Steel Double Side Burners | Optional #60010CE Side Kick Side Burner |
| Piezo Igniter | ✓ |
| Zinc Knobs | ✓ |
| Stainless Steel 304 Gauge | 1.60 mm |
| Single Piece SS Dual Lined Hood | ✓ |
| Solid Stainless Steel Grates | Chrome Plated Griddle |
| Heavy Duty Thermometer | ✗ |
| Solid S/Steel Warming Rack | ✗ |
| Stainless Steel Rotisserie Motor | ✗ |
| Stainless Steel Grease Tray | ✓ |
| Stainless Steel Side Shelves | ✓ |
| Twin Lighting System | ✗ |
| SS 304 Double Door Storage Cart | ✓ |
| SS 304 Door/Drawer Storage Cart | ✗ |
| Heavy Duty Castors | ✓ |
| CSA Certified | ✓ |
| CE Certified | ✓ |
| Lower Cooking Surface | 57 x 44cm |
| Upper Cooking Surface | ✗ |
| Warranty Details | |
| Fire Box & Roasting Hood | Lifetime |
| Cooking Grates | 1 Year |
| Burners | 5 Years |
| Flame Tamers | ✗ |
| Grill | Packing Dimensions |
| Grill Carton Length | 69 cm |
| Grill Carton Width | 65 cm |
| Grill Carton Height | 50 cm |
| Grill Carton Cube | 0.23 m ³ |
| Grill Carton Weight | 63.00 Kg |
| Cart Bottom | Packing Dimensions |
| Cart Carton Length | 56 cm |
| Cart Carton Width | 58 cm |
| Cart Carton Height | 69 cm |
| Cart Carton Cube | 0.22 M ³ |
| Cart Carton Weight | 28.00 Kg |



Standard Features

Outlaw Cart

#26001CE-LPG
#26002CE-NG

Outlaw Built-In

#26038CE-LPG
#26039CE-NG

| | |
|---|--|
| Recommended Use | Commercial Residential |
| Cooking Power-kWh | 17.60 kWh |
| Burners | 4-Cast Iron Porcelain Coated |
| Infrared Back Burner | ✗ |
| Cast Stainless Steel Double Side Burners | Optional #60010CE Side Kick Side Burner |
| Piezo Igniter | ✓ |
| Zinc Knobs | ✓ |
| Stainless Steel 304 Gauge | 2.00 mm |
| Single Piece SS Dual Lined Hood | ✓ |
| Solid Stainless Steel Grates | ✓ |
| Heavy Duty Thermometer | ✓ |
| Solid S/Steel Warming Rack | ✓ |
| Stainless Steel Rotisserie Motor | ✗ |
| Stainless Steel Grease Tray | ✓ |
| Stainless Steel Side Shelves | ✓ |
| Twin Lighting System | ✗ |
| SS 304 Double Door Storage Cart | ✓ |
| SS 304 Door/Drawer Storage Cart | ✗ |
| Heavy Duty Castors | ✓ |
| CSA Certified | ✓ |
| CE Certified | ✓ |
| Lower Cooking Surface | 76 x 49 cm |
| Upper Cooking Surface | 76 x 18 cm |

Warranty Details

| | |
|--------------------------|----------|
| Fire Box & Roasting Hood | Lifetime |
| Cooking Grates | Lifetime |
| Burners | 2 Years |
| Flame Tamers | 5 Years |

Grill Packing Dimensions

| | |
|---------------------|---------------------|
| Grill Carton Length | 86 cm |
| Grill Carton Width | 66 cm |
| Grill Carton Height | 63 cm |
| Grill Carton Cube | 0.36 M ³ |
| Grill Carton Weight | 60.00 Kg |

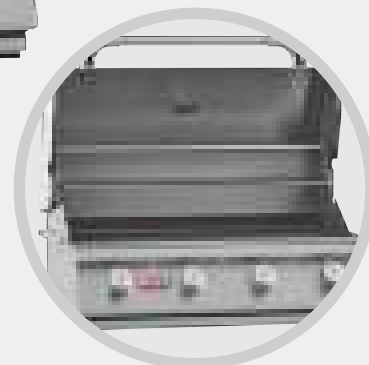
Cart Bottom Packing Dimensions

| | |
|--------------------|---------------------|
| Cart Carton Length | 84 cm |
| Cart Carton Width | 58 cm |
| Cart Carton Height | 59 cm |
| Cart Carton Cube | 0.29 M ³ |
| Cart Carton Weight | 33.50 Kg |

OUTLAW CART



OUTLAW BUILT-IN



The 76cm Outlaw Cart is a wonderful gas grilling option for the value minded customer who does not want to give up massive cooking power. The cart offers good storage underneath the grill and stainless steel side shelves for food preparation.

Standard Features

| | |
|----------------------|--------------|
| Lonestar Cart | #87001CE-LPG |
| | #87002CE-NG |

| | |
|--------------------------|--------------|
| Lonestar Built-In | #87048CE-LPG |
| | #87049CE-NG |

| | |
|---|--|
| Recommended Use | Commercial Residential |
| Cooking Power-kWh | 17.60 kWh |
| Burners | 4-Welded S/Steel Bar Burners |
| Infrared Back Burner | ✗ |
| Cast Stainless Steel Double Side Burners | Optional #60010CE Side Kick Side Burner |
| Piezo Igniter | ✓ |
| Zinc Knobs | ✓ |
| Stainless Steel 304 Gauge | 2.00 mm |
| Single Piece SS Dual Lined Hood | ✓ |
| Solid Stainless Steel Grates | ✓ |
| Heavy Duty Thermometer | ✓ |
| Solid S/Steel Warming Rack | ✓ |
| Stainless Steel Rotisserie Motor | ✗ |
| Stainless Steel Grease Tray | ✓ |
| Stainless Steel Side Shelves | ✓ |
| Twin Lighting System | ✓ |
| SS 304 Double Door Storage Cart | ✓ |
| SS 304 Door/Drawer Storage Cart | ✗ |
| Heavy Duty Castors | ✓ |
| CSA Certified | ✓ |
| CE Certified | ✓ |
| Lower Cooking Surface | 76 x 49 cm |
| Upper Cooking Surface | 76 x 18 cm |

Warranty Details

| | |
|--------------------------|----------|
| Fire Box & Roasting Hood | Lifetime |
| Cooking Grates | Lifetime |
| Burners | 5 Years |
| Flame Tamers | 5 Years |

Grill Packing Dimensions

| | |
|---------------------|---------------------|
| Grill Carton Length | 86 cm |
| Grill Carton Width | 66 cm |
| Grill Carton Height | 63 cm |
| Grill Carton Cube | 0.36 M ³ |
| Grill Carton Weight | 60.00 Kg |

Cart Bottom Packing Dimensions

| | |
|--------------------|---------------------|
| Cart Carton Length | 84 cm |
| Cart Carton Width | 58 cm |
| Cart Carton Height | 59 cm |
| Cart Carton Cube | 0.29 M ³ |
| Cart Carton Weight | 33.50 Kg |

LONESTAR CART



LONESTAR BUILT-IN



This Grill is a 4-Burner Stainless Steel Gas Barbecue Grill. It has extra storage for a propane tank or other grilling necessities and its food prep areas on either side of the grill leave plenty of room to serve your favourite dishes.



RENEGADE CART



RENEGADE BUILT-IN



| Standard Features | |
|---|--|
| Renegade Cart | #32300CE-LPG #32301CE-NG |
| Renegade Built-In | #32368CE-LPG #32369CE-NG |
| Recommended Use | Commercial Residential |
| Cooking Power-kWh | 22.00 kWh |
| Burners | 5-Cast Iron Porcelain Coated |
| Infrared Back Burner | ✗ |
| Cast Stainless Steel Double Side Burners | Optional #60010CE Side Kick Side Burner |
| Piezo Igniter | ✓ |
| Zinc Knobs | ✓ |
| Stainless Steel 304 Gauge | 2.00 mm |
| Single Piece SS Dual Lined Hood | ✓ |
| Solid Stainless Steel Grates | ✓ |
| Heavy Duty Thermometer | ✓ |
| Solid S/Steel Warming Rack | ✓ |
| Stainless Steel Rotisserie Motor | ✗ |
| Stainless Steel Grease Tray | ✓ |
| Stainless Steel Side Shelves | ✓ |
| Twin Lighting System | ✗ |
| SS 304 Double Door Storage Cart | ✓ |
| SS 304 Door/Drawer Storage Cart | ✗ |
| Heavy Duty Castors | ✓ |
| CSA Certified | ✓ |
| CE Certified | ✓ |
| Lower Cooking Surface | 97 x 49 cm |
| Upper Cooking Surface | 97 x 18 cm |
| Warranty Details | |
| Fire Box & Roasting Hood | Lifetime |
| Cooking Grates | Lifetime |
| Burners | 2 Years |
| Flame Tamers | 5 Years |
| Grill | Packing Dimensions |
| Grill Carton Length | 107 cm |
| Grill Carton Width | 69 cm |
| Grill Carton Height | 62 cm |
| Grill Carton Cube | 0.46 M ³ |
| Grill Carton Weight | 74.00 Kg |
| Cart Bottom | Packing Dimensions |
| Cart Carton Length | 103 cm |
| Cart Carton Width | 58 cm |
| Cart Carton Height | 58 cm |
| Cart Carton Cube | 0.35 M ³ |
| Cart Carton Weight | 37.65 Kg |

The 97cm Renegade Grill is a 5 burner 22 kWh stainless steel Grill Cart. This cart has plenty of room for grilling and plenty of storage under the grill for your propane tank and tools. It can also be easily moved to the ideal location in your backyard or patio.

CAST STAINLESS STEEL BURNER



**This Burner is the heart of our Premium Grills.
It is made from 304 Grade Cast Stainless Steel.
This heavy duty technology goes up to 4.40kWh.**

**Our ReliaBull Technology is engineered by the finest
University experts in California. This is why Bull is
confident in offering a **LIFETIME WARRANTY** on these
Beasts!**



ANGUS CART



ANGUS BUILT-IN



| Standard Features | |
|---|--|
| Angus Cart | #44000CE-LPG #44001CE-NG |
| Angus Built-In | #47628CE-LPG #47629CE-NG |
| Recommended Use | Commercial Residential |
| Cooking Power- kWh | 22.00 kWh |
| Burners | 4-Cast S/ Steel Bar Burners |
| Infrared Back Burner | ✓ |
| Cast Stainless Steel Double Side Burners | Optional #60010CE Side Kick Side Burner |
| Piezo Igniter | ✓ |
| Zinc Knobs | ✓ |
| Stainless Steel 304 Gauge | 2.00 mm |
| Single Piece SS Dual Lined Hood | ✓ |
| Solid Stainless Steel Grates | ✓ |
| Heavy Duty Thermometer | ✓ |
| Solid S/Steel Warming Rack | ✓ |
| Stainless Steel Rotisserie Motor | ✓ |
| Stainless Steel Grease Tray | ✓ |
| Stainless Steel Side Shelves | ✓ |
| Twin Lighting System | ✓ |
| SS 304 Double Door Storage Cart | ✓ |
| SS 304 Door/Drawer Storage Cart | ✗ |
| Heavy Duty Castors | ✓ |
| CSA Certified | ✓ |
| CE Certified | ✓ |
| Lower Cooking Surface | 76 x 49 cm |
| Upper Cooking Surface | 76 x 18 cm |
| Warranty Details | |
| Fire Box & Roasting Hood | Lifetime |
| Cooking Grates | Lifetime |
| Burners | Lifetime |
| Flame Tamers | 5 Years |
| Grill | Packing Dimensions |
| Grill Carton Length | 88 cm |
| Grill Carton Width | 66 cm |
| Grill Carton Height | 63 cm |
| Grill Carton Cube | 0.37 M ³ |
| Grill Carton Weight | 76.00 Kg |
| Cart Bottom | Packing Dimensions |
| Cart Carton Length | 84 cm |
| Cart Carton Width | 58 cm |
| Cart Carton Height | 59 cm |
| Cart Carton Cube | 0.29 M ³ |
| Cart Carton Weight | 33.50 Kg |

The Angus Grill is a 76cm 4-Burner Stainless Steel Barbecue Grill with an Infrared Back Burner and rotisserie. This grill cart has room to prepare food and great storage for your tools and propane tank.

Standard Features

| | |
|--------------------|--------------|
| Brahma Cart | #55000CE-LPG |
| | #55001CE-NG |

| | |
|------------------------|--------------|
| Brahma Built-In | #57568CE-LPG |
| | #57569CE-NG |

| | |
|---|--|
| Recommended Use | Commercial Residential |
| Cooking Power-kWh | 26.40 kWh |
| Burners | 5 - Cast S/Steel Bar Burners |
| Infrared Back Burner | ✓ |
| Cast Stainless Steel Double Side Burners | Optional #60010CE Side Kick Side Burner |
| Piezo Ignites | ✓ |
| Zinc Knobs | ✓ |
| Stainless Steel 304 Gauge | 2.00 mm |
| Single Piece SS Dual Lined Hood | ✓ |
| Solid Stainless Steel Grates | ✓ |
| Heavy Duty Thermometer | ✓ |
| Solid S/Steel Warming Rack | ✓ |
| Stainless Steel Rotisserie Motor | ✓ |
| Stainless Steel Grease Tray | ✓ |
| Stainless Steel Side Shelves | ✓ |
| Twin Lighting System | ✓ |
| SS 304 Double Door Storage Cart | ✓ |
| SS 304 Door/Drawer Storage Cart | ✗ |
| Heavy Duty Castors | ✓ |
| CSA Certified | ✓ |
| CE Certified | ✓ |
| Lower Cooking Surface | 97 x 49 cm |
| Upper Cooking Surface | 97 x 18 cm |

| Warranty Details | |
|--------------------------|----------|
| Fire Box & Roasting Hood | Lifetime |
| Cooking Grates | Lifetime |
| Burners | Lifetime |
| Flame Tamers | 5 Years |

| Grill | Packing Dimensions |
|---------------------|---------------------------|
| Grill Carton Length | 107 cm |
| Grill Carton Width | 69 cm |
| Grill Carton Height | 62 cm |
| Grill Carton Cube | 0.46 M ³ |
| Grill Carton Weight | 83.00 Kg |

| Cart Bottom | Packing Dimensions |
|--------------------|---------------------------|
| Cart Carton Length | 103 cm |
| Cart Carton Width | 58 cm |
| Cart Carton Height | 58 cm |
| Cart Carton Cube | 0.35 M ³ |
| Cart Carton Weight | 37.65 Kg |

BRAHMA CART



BRAHMA BUILT-IN



The Brahma Grill is a 97cm 5-Burner stainless steel gas barbecue with an infrared back burner and rotisserie. This cart has plenty of room for grilling and plenty of storage under the grill for your propane tank and tools.



DIABLO CART



DIABLO BUILT-IN



| Standard Features | |
|--|------------------------------|
| Diablo Cart | #62600CE-LPG #62601CE-NG |
| Requires #97060 Cart Conversion Kit | |
| Diablo Built-In | #62648CE-LPG #62649CE-NG |
| Recommended Use | Commercial Residential |
| Cooking Power-kWh | 30.90 kWh |
| Burners | 6 - Cast S/Steel Bar Burners |
| Infrared Back Burner | ✓ |
| Cast Stainless Steel Double Side Burners | ✗ |
| Piezo Igniter | ✓ |
| Zinc Knobs | ✓ |
| Stainless Steel 304 Gauge | 2.00 mm |
| Single Piece SS Dual Lined Hood | ✓ |
| Solid Stainless Steel Grates | ✓ |
| Heavy Duty Thermometer | ✓ |
| Solid S/Steel Warming Rack | ✓ |
| Stainless Steel Rotisserie Motor | ✓ |
| Stainless Steel Grease Tray | ✓ |
| Stainless Steel Side Shelves | ✓ |
| Twin Lighting System | ✓ |
| SS 304 Double Door Storage Cart | ✗ |
| SS 304 Door/Drawer Storage Cart | ✗ |
| Heavy Duty Castors | ✓ |
| CSA Certified | ✓ |
| CE Certified | ✓ |
| Lower Cooking Surface | 115x 49 cm |
| Upper Cooking Surface | 115x 18 cm |
| Warranty Details | |
| Fire Box & Roasting Hood | Lifetime |
| Cooking Grates | Lifetime |
| Burners | Lifetime |
| Flame Tamers | 5 Years |
| Grill | Packing Dimensions |
| Grill Carton Length | 127 cm |
| Grill Carton Width | 66 cm |
| Grill Carton Height | 62 cm |
| Grill Carton Cube | 0.52M ³ |
| Grill Carton Weight | 90.00 Kg |
| Cart Bottom | Packing Dimensions |
| Cart Carton Length | 127 cm |
| Cart Carton Width | 62 cm |
| Cart Carton Height | 63 cm |
| Cart Carton Cube | 0.50 M ³ |
| Cart Carton Weight | 68.00 Kg |

The Diablo grill is a 6-Burner 117cm barbecue grill with an Infrared back burner and rotisserie. Our largest Grill boasts a whopping 31 kWh of cooking power and comes standard with our Reliabull heat technology that reduces hot and cold spots creating a more even grilling surface.

Standard Features

7 Burner Cart

#28368CE-LPG
#28369CE-NG

7 Burner Built-In

#18248CE-LPG
#18249CE-NG

| | |
|---|------------------------------------|
| Recommended Use | Commercial Residential |
| Cooking Power-kWh | 31.00 kWh |
| Burners | 4 - Cast S/Steel Bar Burners |
| Infrared Back Burner | ✓ |
| Cast Stainless Steel Double Side Burners | ✓ |
| Piezo Ignites | ✓ |
| Zinc Knobs | ✓ |
| Stainless Steel 304 Gauge | 2.00 mm |
| Single Piece SS Dual Lined Hood | ✓ |
| Solid Stainless Steel Grates | ✓ |
| Heavy Duty Thermometer | ✓ |
| Solid S/Steel Warming Rack | ✓ |
| Stainless Steel Rotisserie Motor | ✓ |
| Stainless Steel Grease Tray | ✓ |
| Stainless Steel Side Shelves | ✓ |
| Twin Lighting System | ✓ |
| SS 304 Double Door Storage Cart | ✓ |
| SS 304 Door/Drawer Storage Cart | ✓ |
| Heavy Duty Castors | ✓ |
| CSA Certified | ✓ |
| CE Certified | ✓ |
| Lower Cooking Surface | 76 x 49 cm |
| Upper Cooking Surface | 76 x 18 cm |

Warranty Details

| | |
|--------------------------|----------|
| Fire Box & Roasting Hood | Lifetime |
| Cooking Grates | Lifetime |
| Burners | Lifetime |
| Flame Tamers | 5 Years |

Grill Packing Dimensions

| | |
|---------------------|---------------------|
| Grill Carton Length | 125 cm |
| Grill Carton Width | 70 cm |
| Grill Carton Height | 60 cm |
| Grill Carton Cube | 0.53 M ³ |
| Grill Carton Weight | 96.00 Kg |

Cart Bottom Packing Dimensions

| | |
|--------------------|---------------------|
| Cart Carton Length | 127 cm |
| Cart Carton Width | 62 cm |
| Cart Carton Height | 63 cm |
| Cart Carton Cube | 0.50 M ³ |
| Cart Carton Weight | 68.00 Kg |

7 BURNER CART



7 BURNER BUILT-IN



The 7 Burner Grill is the largest and most versatile of all our carts. It has an impressive cooking area, with infrared Back Burner and rotisserie, along with extra storage space. The incorporated double side burner saves space especially when incorporating in an Outdoor Kitchen.

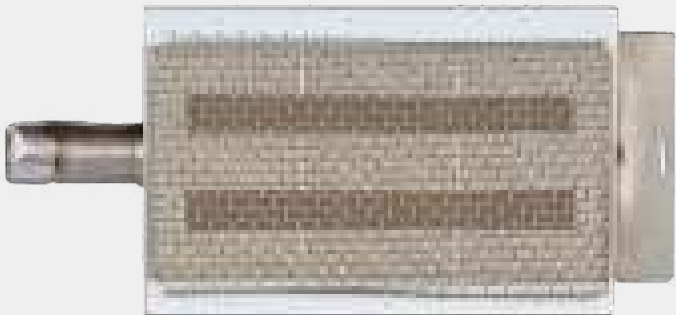
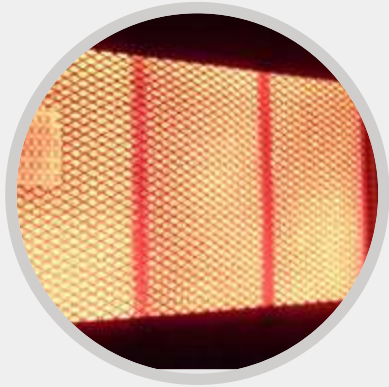


GRILL ENHANCEMENTS

| | | | | |
|---|-----------|---------------------------|------------|-------|
| Sidekick Cart Single Side Burner | | | #60010CE | LPG |
| | | | On request | NG |
| 304 Solid Cast Stainless Steel Burner. | | | | |
| 304 Solid Stainless Steel Grate. GAS CONNECTION KIT INCLUDED. | | | | |
| Piezo Ignition. Replaces right shelf on 61,76 & 97cm Bull Grill Carts. | | | | |
| Specifications | | | | |
| CE Certified | 4.40 kWh | | | |
| Dimensions | | Cut out Dimensions | | |
| L 33.2 cm | D 47.7 cm | H 15.3 cm | L N/A | D N/A |
| | | | H N/A | |
| CTN Length | 0.54 Mts | CTN Height | 0.21 Mts | |
| CTN Width | 0.40 Mts | CTN Weight | 8 Kg | 1 Pcs |



| | | | | |
|---|-----------|---------------------------|----------|----------|
| Infrared Searing Burner | | | #20505CE | LPG / NG |
| Ceramic Infrared sear Burner 5.86 kWh. | | | | |
| Replaces all rightmost side burner on all Bull Grills. | | | | |
| Takes less than one minute to install. | | | | |
| Specifications | | | | |
| CE Certified | 5.86 kWh | | | |
| Dimensions | | Cut out Dimensions | | |
| L 16.8 cm | D 40.8 cm | H 7.1 cm | L N/A | D N/A |
| | | | H N/A | |
| CTN Length | 0.48 Mts | CTN Height | 0.20 Mts | |
| CTN Width | 0.46 Mts | CTN Weight | 11.5 Kg | 5 Pcs |



| | | | | | |
|---|----------|------------|---------------------------|-------|-------|
| Volcanic Rock Griddle/Pizza Stone | | | #97030 | | |
| Replaces 2 cooking grids on 76, 97 & 120cm Grills. | | | | | |
| Grease gutter around perimeter and Grease hole. | | | | | |
| This Lava Rock has the same properties as refractory stone. | | | | | |
| Specifications | | | | | |
| 20mm thick | | | | | |
| Dimensions | | | Cut out Dimensions | | |
| L 49.5cm | D 38.5cm | H 2.0cm | L N/A | D N/A | H N/A |
| CTN Length | 0.53 Mts | CTN Height | 0.11 Mts | | |
| CTN Width | 0.45 Mts | CTN Weight | 12 Kg | 1 Pcs | |



| | | | | | |
|--|----------|------------|---------------------------|-------|-------|
| Slide-In Removable Griddle | | | #97020 | | |
| Turns part of your Bull Grill into a Flat Top Griddle . | | | | | |
| Perfect for making Tacos, Pancakes, Eggs and so much more. | | | | | |
| Specifications | | | | | |
| Solid S/Steel | | | | | |
| Dimensions | | | Cut out Dimensions | | |
| L 50.00cm | D 38.0cm | H 2.0cm | L N/A | D N/A | H N/A |
| CTN Length | 0.55 Mts | CTN Height | 0.09 Mts | | |
| CTN Width | 0.43 Mts | CTN Weight | 12 Kg | 1 Pcs | |



GRILL & CART COVERS

A wide selection of Covers available for all Grill Heads and Carts



| | | | |
|---|----------|----------------|-----------------|
| Bull® 60cm Cart Cover | | # 69105 | |
| This Cart Cover fits Bull Steer Cart. | | | |
| CTN Length | 0.36 Mts | CTN Height | 1.00 Mts |
| CTN Width | 0.46 Mts | CTN Weight | 18.00 Kg 10 Pcs |
| Bull® 76cm Cart Cover | | # 74033 | |
| This Cart Cover fits Bull Bison, Angus, Outlaw and Lonestar Cart. | | | |
| CTN Length | 0.44 Mts | CTN Height | 0.80 Mts |
| CTN Width | 0.56 Mts | CTN Weight | 20.00 Kg 10 Pcs |
| Bull® 97cm Cart Cover | | # 55005 | |
| This cart Cover fits Bull Renegade, Brahma Cart. | | | |
| CTN Length | 0.33 Mts | CTN Height | 0.20 Mts |
| CTN Width | 0.29 Mts | CTN Weight | 25.00 Kg 10 Pcs |
| Bull® 97cm Premium Cart Cover | | # 55100 | |
| This cart Cover fits Bull Renegade, Brahma Cart. | | | |
| CTN Length | 0.33 Mts | CTN Height | 0.20 Mts |
| CTN Width | 0.29 Mts | CTN Weight | 9.00 Kg 10 Pcs |
| Bull® 120cm Cart Cover | | # 18035 | |
| This Cart Cover fits Bull 7 Burner Cart. | | | |
| CTN Length | 0.39 Mts | CTN Height | 0.64 Mts |
| CTN Width | 0.32 Mts | CTN Weight | 25.00 Kg 10 Pcs |



| | | | |
|---|----------|----------------|-----------------|
| Bull® 60cm Griddle Head Cover | | # 97770 | |
| This Cover fits Bull Plancha Griddle Built-In. | | | |
| CTN Length | 0.28 Mts | CTN Height | 0.46 Mts |
| CTN Width | 0.34 Mts | CTN Weight | 3.20 Kg 5 Pcs |
| Bull® 60cm Premium Grill Cover | | # 69010 | |
| This Head cover fits Bull Steer Premium Built-In. | | | |
| CTN Length | 0.28 Mts | CTN Height | 0.46 Mts |
| CTN Width | 0.34 Mts | CTN Weight | 3.20 Kg 5 Pcs |
| Bull® 76cm Grill Cover | | # 45005 | |
| 300D Polyester Black Red Piping & Stitched Logo | | | |
| This Head cover fits Bull Bison, Angus, Outlaw & Lonestar Built-In. | | | |
| CTN Length | 0.27 Mts | CTN Height | 0.81 Mts |
| CTN Width | 0.32 Mts | CTN Weight | 7.00 Kg 8 Pcs |
| Bull® 76cm Grill Head Cover | | # 52100 | |
| 300D Polyester Black Red Piping & Stitched Logo. | | | |
| This Head cover fits Bull Bison, Angus, Outlaw & Lonestar Built-In. | | | |
| CTN Length | 0.31 Mts | CTN Height | 0.24 Mts |
| CTN Width | 0.36 Mts | CTN Weight | 10.00 Kg 10 Pcs |
| Bull® 97cm Grill Cover | | # 52040 | |
| This Head Cover fits Bull Renegade, Brahma Built-In. | | | |
| CTN Length | 0.36 Mts | CTN Height | 0.24 Mts |
| CTN Width | 0.31 Mts | CTN Weight | 10.00 Kg 10 Pcs |
| Bull® 97cm Grill Head Cover | | # 56006 | |
| 300D Polyester Black Red Piping & Stitched Logo | | | |
| This Head cover fits Bull Renegade, Brahma Built-In. | | | |
| CTN Length | 0.27 Mts | CTN Height | 0.81 Mts |
| CTN Width | 0.33 Mts | CTN Weight | 8.00 Kg 8 Pcs |
| Bull® 116cm Grill Head Cover | | # 66270 | |
| This Head cover fits Bull Diablo Built-In. | | | |
| CTN Length | 0.31 Mts | CTN Height | 0.49 Mts |
| CTN Width | 0.33 Mts | CTN Weight | 10.00 Kg 10 Pcs |
| Bull® 120cm Grill Head Cover | | # 70000 | |
| This Head Cover fits Bull 7- Burner Built-In. | | | |
| CTN Length | 0.33 Mts | CTN Height | 0.49 Mts |
| CTN Width | 0.3 Mts | CTN Weight | 10.00 Kg 10 Pcs |

All Covers are also available in Sumbrella Surlast Canvas.



| | | | | |
|--|----------|-------------------|----------|--------|
| Bull® 60cm Griddle Cart Cover | | # SLC73008 | | |
| This Cover fits Bull Plancha Griddle Cart. | | | | |
| CTN Length | 0.36 Mts | CTN Height | 1.00 Mts | |
| CTN Width | 0.46 Mts | CTN Weight | 18.00 Kg | 10 Pcs |

| | | | | |
|--|----------|-------------------|----------|-------|
| Bull® 60cm Griddle Head Cover | | # SLC97770 | | |
| This Cover fits Bull Plancha Griddle Built-In. | | | | |
| CTN Length | 0.28 Mts | CTN Height | 0.46 Mts | |
| CTN Width | 0.34 Mts | CTN Weight | 3.20 Kg | 5 Pcs |

| | | | | |
|---------------------------------------|----------|-------------------|----------|--------|
| Bull® 60cm Cart Cover | | # SLC69105 | | |
| This Cart Cover fits Bull Steer Cart. | | | | |
| CTN Length | 0.36 Mts | CTN Height | 1.00 Mts | |
| CTN Width | 0.46 Mts | CTN Weight | 18.00 Kg | 10 Pcs |

| | | | | |
|---|----------|-------------------|----------|-------|
| Bull® 60cm Premium Grill Cover | | # SLC69010 | | |
| This Head cover fits Bull Steer Premium Built-In. | | | | |
| CTN Length | 0.28 Mts | CTN Height | 0.46 Mts | |
| CTN Width | 0.34 Mts | CTN Weight | 3.20 Kg | 5 Pcs |

| | | | | |
|---|----------|-------------------|----------|--------|
| Bull® 76cm Cart Cover | | # SLC74033 | | |
| This Head cover fits Bull Bison, Outlaw, Lonestar & Angus Cart. | | | | |
| CTN Length | 0.44 Mts | CTN Height | 0.80 Mts | |
| CTN Width | 0.56 Mts | CTN Weight | 20.00 Kg | 10 Pcs |

| | | | | |
|---|----------|-------------------|----------|--------|
| Bull® 76cm Grill Head Cover | | # SLC52100 | | |
| This Head cover fits Bull Bison, Outlaw, Lonestar & Angus Built-In. | | | | |
| CTN Length | 0.36 Mts | CTN Height | 0.24 Mts | |
| CTN Width | 0.31 Mts | CTN Weight | 10.00 Kg | 10 Pcs |

| | | | | |
|--|----------|-------------------|----------|--------|
| Bull® 97cm Premium Cart Cover | | # SLC55100 | | |
| This cart Cover fits Bull Renegade, Brahma Cart. | | | | |
| CTN Length | 0.33 Mts | CTN Height | 0.20 Mts | |
| CTN Width | 0.29 Mts | CTN Weight | 9.00 Kg | 10 Pcs |

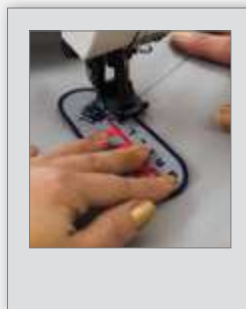
| | | | | |
|--|----------|-------------------|----------|-------|
| Bull® 97cm Grill Head Cover | | # SLC56006 | | |
| This Head cover fits Bull Renegade, Brahma Built-In. | | | | |
| CTN Length | 0.27 Mts | CTN Height | 0.81 Mts | |
| CTN Width | 0.33 Mts | CTN Weight | 8.00 Kg | 8 Pcs |

| | | | | |
|--|----------|-------------------|----------|--------|
| Bull® 116cm Grill Head Cover | | # SLC62600 | | |
| This Head cover fits Bull Diablo Cart. | | | | |
| CTN Length | 0.39 Mts | CTN Height | 0.64 Mts | |
| CTN Width | 0.32 Mts | CTN Weight | 25.00 Kg | 10 Pcs |

| | | | | |
|--|----------|-------------------|----------|--------|
| Bull® 116cm Grill Head Cover | | # SLC66270 | | |
| This Head cover fits Bull Diablo Built-In. | | | | |
| CTN Length | 0.31 Mts | CTN Height | 0.49 Mts | |
| CTN Width | 0.33 Mts | CTN Weight | 10.00 Kg | 10 Pcs |

| | | | | |
|--|----------|-------------------|----------|--------|
| Bull® 120cm Cart Cover | | # SLC18035 | | |
| This Cart Cover fits Bull 7 Burner Cart. | | | | |
| CTN Length | 0.39 Mts | CTN Height | 0.64 Mts | |
| CTN Width | 0.32 Mts | CTN Weight | 25.00 Kg | 10 Pcs |

| | | | | |
|---|----------|-------------------|----------|--------|
| Bull® 120cm Grill Head Cover | | # SLC70000 | | |
| This Head Cover fits Bull 7- Burner Built-In. | | | | |
| CTN Length | 0.33 Mts | CTN Height | 0.49 Mts | |
| CTN Width | 0.3 Mts | CTN Weight | 10.00 Kg | 10 Pcs |



Colour Options



These are Premium Hand Stitched Tailored Covers in Sumbrella Surlast Marine Grade Fabric & Thread.



BULL PIZZA OVENS



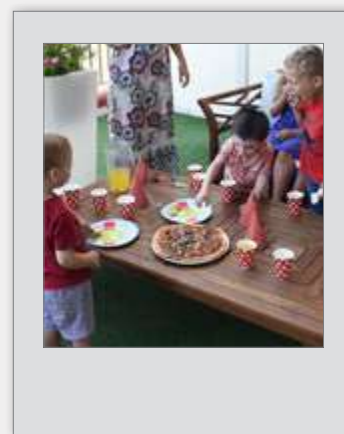
The Large Pizza Oven is wood-fired and built in Italy with solid welded construction, stainless steel & electro galvanized steel. The internal is nickel/chrome steel and reinforced with 6mm corten refractory plates.

WOOD FIRED LARGE

| | | | |
|---|-----------|---------------|----------------|
| Large Pizza Oven with Cart | | #66025 | |
| Baking Stone: 60 cm W x 60 cm D. Chimney Stainless steel 316. | | | |
| Top & Back 304 solid Stainless Steel. Internal Top 2.55mm. | | | |
| Internal Bottom 3.00mm thick, 441 Chrome/Nickel Steel. | | | |
| Specifications | | | |
| Powder Coated Anthracite Top. | | | |
| Dimensions | | | |
| L 77.8 cm | D 85.5 cm | H 198 cm | |
| CTN Length | 0.89 Mts | CTN Height | 0.83 Mts |
| CTN Width | 0.83 Mts | CTN Weight | 130 Kg 1 Pcs |

| | | | |
|---|-----------|---------------|----------------|
| Large Pizza Oven | | #66024 | |
| Baking Stone: 60 cm W x 60 cm D. Chimney Stainless steel 316. | | | |
| Top & Back 304 solid Stainless Steel. Internal Top 2.55mm. | | | |
| Internal Bottom 3.00mm thick, 441 Chrome/Nickel Steel. | | | |
| Specifications | | | |
| Powder Coated Anthracite Top. | | | |
| Dimensions | | | |
| L 77.8 cm | D 85.5 cm | H 118 cm | |
| CTN Length | 0.89 Mts | CTN Height | 0.63 Mts |
| CTN Width | 0.83 Mts | CTN Weight | 108 Kg 1 Pcs |

| | | | |
|------------------------------|----------|---------------|---------------|
| Large Cart Only | | #66039 | |
| Stainless Steel Unassembled. | | | |
| Specifications | | | |
| Dimensions | | | |
| L 77.8 cm | D 78 cm | H 79.8 cm | |
| CTN Length | 0.89 Mts | CTN Height | 0.22 Mts |
| CTN Width | 0.83 Mts | CTN Weight | 22 Kg 1 Pcs |



PIZZA OVENS

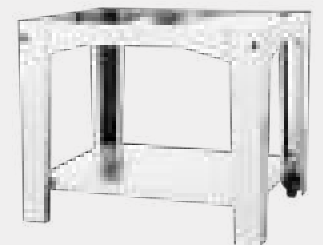
The Extra Large Pizza Oven is wood-fired and built in Italy with solid welded construction, stainless steel & electro galvanized steel. The internal is nickel/chrome steel and reinforced with 6mm corten refractory plates.

WOOD FIRED XL

| | | | |
|---|------------------|-----------------|----------------|
| Extra Large Pizza Oven with Cart | | #66042 | |
| Baking Stone: 80 cm W x 60 cm D. Chimney Stainless steel 316. | | | |
| Top & Back 304 solid Stainless Steel. Internal Top 2.55mm. | | | |
| Internal Bottom 3.00mm thick, 441 Chrome/Nickel Steel. | | | |
| Specifications | | | |
| Powder Coated Anthracite Top. | | | |
| Dimensions | | | |
| L 98.0 cm | D 85.5 cm | H 198 cm | |
| CTN Length | 1.03 Mts | CTN Height | 0.85 Mts |
| CTN Width | 0.99 Mts | CTN Weight | 152 Kg 1 Pcs |

| | | | |
|---|------------------|-----------------|----------------|
| Extra Large Pizza Oven | | #66040 | |
| Baking Stone: 80 cm W x 60 cm D. Chimney Stainless steel 316. | | | |
| Top & Back 304 solid Stainless Steel. Internal Top 2.55mm. | | | |
| Internal Bottom 3.00mm thick, 441 Chrome/Nickel Steel. | | | |
| Specifications | | | |
| Powder Coated Anthracite Top. | | | |
| Dimensions | | | |
| L 98.0 cm | D 85.5 cm | H 119 cm | |
| CTN Length | 1.03 Mts | CTN Height | 0.63 Mts |
| CTN Width | 0.99 Mts | CTN Weight | 130 Kg 1 Pcs |

| | | | |
|------------------------------|----------------|------------------|---------------|
| Extra Large Cart Only | | #66041 | |
| Stainless Steel Unassembled. | | | |
| Specifications | | | |
| Dimensions | | | |
| L 98.0 cm | D 78 cm | H 79.8 cm | |
| CTN Length | 0.93 Mts | CTN Height | 0.22 Mts |
| CTN Width | 0.72 Mts | CTN Weight | 22 Kg 1 Pcs |



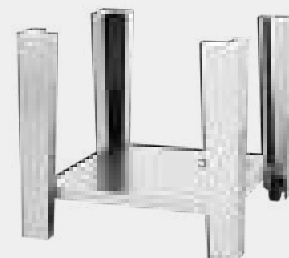
The Large Pizza Oven is gas-fired and built in Italy with solid welded construction, stainless steel & electro galvanized steel. A much cleaner and faster way to cook your favourite pizza and roast.

GAS FIRED LARGE

| | | | |
|---|-----------|-----------------|----------------|
| Large Pizza Oven with Cart | | #66125CE | |
| Baking Stone: 60 cm W x 60 cm D. Chimney Stainless steel 316. | | | |
| Top & Back 304 solid Stainless Steel. Internal Top 2.55mm. | | | |
| Internal Bottom 3.00mm thick, 441 Chrome/Nickel Steel. | | | |
| Specifications | | | |
| Brushed stainless Steel Top. 14k Wh S/Steel Tubular Burner. | | | |
| Dimensions | | | |
| L 77.8 cm | D 85.5 cm | H 198 cm | |
| CTN Length | 0.89 Mts | CTN Height | 0.93 Mts |
| CTN Width | 0.83 Mts | CTN Weight | 130 Kg 1 Pcs |

| | | | |
|---|-----------|-----------------|----------------|
| Large Pizza Oven | | #66124CE | |
| Baking Stone: 60 cm W x 60 cm D. Chimney Stainless steel 316. | | | |
| Top & Back 304 solid Stainless Steel. Internal Top 2.55mm. | | | |
| Internal Bottom 3.00mm thick, 441 Chrome/Nickel Steel. | | | |
| Specifications | | | |
| Brushed stainless Steel Top. 14k Wh S/Steel Tubular Burner. | | | |
| Dimensions | | | |
| L 77.8 cm | D 85.5 cm | H 126 cm | |
| CTN Length | 0.89 Mts | CTN Height | 0.71 Mts |
| CTN Width | 0.83 Mts | CTN Weight | 110 Kg 1 Pcs |

| | | | |
|------------------------------|----------|---------------|---------------|
| Large Cart Only | | #66139 | |
| Stainless Steel Unassembled. | | | |
| Specifications | | | |
| Dimensions | | | |
| L 77.8 cm | D 78 cm | H 71.8 cm | |
| CTN Length | 0.93 Mts | CTN Height | 0.22 Mts |
| CTN Width | 0.73 Mts | CTN Weight | 20 Kg 1 Pcs |



PIZZA OVENS

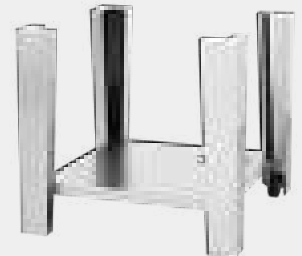
The Extra Large Pizza Oven is gas-fired and built in Italy with solid welded construction, stainless steel & electro galvanized steel. A much cleaner and faster way to cook your favourite pizza and roast.

GAS FIRED XL

| | | | |
|---|-----------|-----------------|----------------|
| Extra Large Pizza Oven with Cart | | #66142CE | |
| Baking Stone: 80 cm W x 60 cm D. Chimney Stainless steel 316. | | | |
| Top & Back 304 solid Stainless Steel. Internal Top 2.55mm. | | | |
| Internal Bottom 3.00mm thick, 441 Chrome/Nickel Steel. | | | |
| Specifications | | | |
| Brushed stainless Steel Top. 14k Wh S/Steel Tubular Burner. | | | |
| Dimensions | | | |
| L 97.8 cm | D 85.5 cm | H 198 cm | |
| CTN Length | 1.03 Mts | CTN Height | 0.93 Mts |
| CTN Width | 0.89 Mts | CTN Weight | 147 Kg 1 Pcs |

| | | | |
|---|-----------|-----------------|--------------|
| Extra Large Pizza Oven | | #66140CE | |
| Baking Stone: 80 cm W x 60 cm D. Chimney Stainless steel 316. | | | |
| Top & Back 304 solid Stainless Steel. Internal Top 2.55mm. | | | |
| Internal Bottom 3.00mm thick, 441 Chrome/Nickel Steel. | | | |
| Specifications | | | |
| Brushed stainless Steel Top. 14k Wh S/Steel Tubular Burner. | | | |
| Dimensions | | | |
| L 97.8 cm | D 85.5 cm | H 126 cm | |
| CTN Length | 1.03 Mts | CTN Height | 0.71 Mts |
| CTN Width | 0.89 Mts | CTN Weight | 127 Kg Pcs |

| | | | |
|------------------------------|----------|---------------|-------------|
| Extra Large Cart Only | | #66141 | |
| Stainless Steel Unassembled. | | | |
| Specifications | | | |
| Dimensions | | | |
| L 98.0 cm | D 78 cm | H 71.8 cm | |
| CTN Length | 0.93 Mts | CTN Height | 0.22 Mts |
| CTN Width | .073 Mts | CTN Weight | 20 Kg Pcs |



SURLAST COVERS

| | | | | |
|---|----------|-------------------|---------|-------|
| Large Pizza Oven Fitted Cover | | # SLC66024 | | |
| Fits Large Oven #66024/#66124. | | | | |
| Weather Proof and Breathable Sumbrella Surlast Cover. | | | | |
| CTN Length | 0.40 Mts | CTN Height | 0.6 Mts | |
| CTN Width | 0.30 Mts | CTN Weight | 1.05 Kg | 1 Pcs |

| | | | | |
|---|----------|------------------|---------|-------|
| Extra Large Pizza Oven Fitted Cover | | #SLC66040 | | |
| Fits Extra Large Oven #66040/#66140. | | | | |
| Weather Proof and Breathable Sumbrella Surlast Cover. | | | | |
| CTN Length | 0.40 Mts | CTN Height | 0.6 Mts | |
| CTN Width | 0.30 Mts | CTN Weight | 1.05 Kg | 1 Pcs |

| | | | | |
|---|----------|------------------|---------|-------|
| Large Pizza Oven Cart Fitted Cover | | #SLC66025 | | |
| Fits Large Oven #66025/#66125. | | | | |
| Weather Proof and Breathable Sumbrella Surlast Cover. | | | | |
| CTN Length | 0.40 Mts | CTN Height | 0.8 Mts | |
| CTN Width | 0.30 Mts | CTN Weight | 1.56 Kg | 1 Pcs |

| | | | | |
|---|----------|------------------|------------|-------|
| Ex Large Pizza Oven Cart Fitted Cover | | #SLC66042 | | |
| Fits Large Oven #66042/#66142. | | | | |
| Weather Proof and Breathable Sumbrella Surlast Cover. | | | | |
| CTN Length | 0.40 Mts | CTN Height | 0.8 cm Mts | |
| CTN Width | 0.30 Mts | CTN Weight | 1.56 Kg | 1 Pcs |



Oven Cart Cover



Oven Cover



Colour Options



BULL COMPONENT DISPLAY

The Bull Component Display is offered to new qualifying dealers on a cost free basis subject to the purchase of the associated components. The Bull Component Display is the perfect companion to Bull display outdoor kitchens allowing dealers to effectively guide customers to which Bull components will be best suited to their outdoor kitchen choice.



REAR VIEW

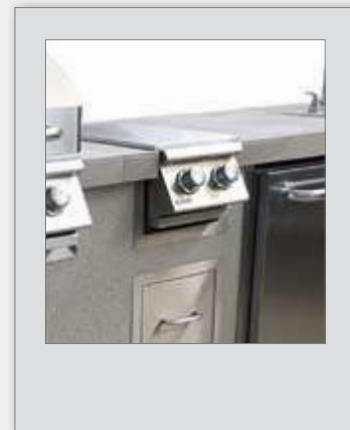
FRONT VIEW

SIDE BURNERS

| | | | |
|---|-----------|---------------------------|------------------------------|
| Drop-in Single Side Burner | | #60008CE | LPG |
| | | #60009CE | NG |
| 304 Solid Cast Stainless Steel Burner. | | | |
| 304 Solid Stainless Steel Grate. GAS CONNECTIONS NOT INCLUDED. | | | |
| Piezo Ignition / Drop-In Design. | | | |
| Specifications | | | |
| CE Certified | 4.40 kWh | | |
| Dimensions | | Cut out Dimensions | |
| L 31.8 cm | D 54.7 cm | H 14.5 cm | L 28.8 cm D 44.5 cm H 8.5 cm |
| CTN Length | 0.58 Mts | CTN Height | 0.20 Mts |
| CTN Width | 0.34 Mts | CTN Weight | 8.6 Kg 1 Pcs |



| | | | |
|---|-----------|---------------------------|------------------------------|
| Slide - In Double Side Burner | | #30008CE | LPG |
| | | #30009CE | NG |
| 304 Stainless Steel Construction & Removable Cover. | | | |
| Solid Cast S/Steel Burners/Slide in. GAS CONNECTIONS NOT INCLUDED. | | | |
| Solid Stainless Steel Grates & Piezo Igniter System. | | | |
| Specifications | | | |
| CE Certified | 7 kWh | 13.15Kg | Slide in Design |
| Dimensions | | Cut out Dimensions | |
| L 33.5 cm | D 62.3 cm | H 24.4 cm | L 30.5 cm D 52.8 cm H 2.4 cm |
| CTN Length | 0.69 Mts | CTN Height | 0.29 Mts |
| CTN Width | 0.37 Mts | CTN Weight | 15 Kg 1 Pcs |



REFRIGERATORS

| | | | |
|--|-------------|---------------------------|-------------------------------|
| 130 Lt Stainless Steel Refrigerator | | #11002CE | |
| Space saving flush back design Stainless 304 steel door panel. | | | |
| Reversible door - left or right swing. | | | |
| Full range temperature control. | | | |
| Specifications | | | |
| CE Certified | Refrigerant | R600A | 75w; 0.65A |
| Dimensions | | Cut out Dimensions | |
| L 48.6 cm | D 51.7 cm | H 81.0 cm | L 52.2 cm D 46.8 cm H 83.0 cm |
| CTN Length | Mts | CTN Height | Mts |
| CTN Width | Mts | CTN Weight | 30 Kg Pcs |



| | | | |
|---|-------------|---------------------------|-------------------------------|
| 150 Lt Premium Outdoor Rated Stainless Steel Fridge | | #13700CE | |
| IPX4 Withstands extremes of weather, UV-safe, Internal Digital LED Control Panels, Reversible self-Closing and sealed locking Door, 3 shelf storage system, ETL, DOE, & CE (energy saver) Certifications. | | | |
| Specifications | | | |
| CE Certified | Refrigerant | R600a | 110w; 1.0A |
| Dimensions | | Cut out Dimensions | |
| L 60.1 cm | D 60.1 cm | H 82.6 cm | L 62.0 cm D 61.5 cm H 84.0 cm |
| CTN Length | 0.69 Mts | CTN Height | 0.89 Mts |
| CTN Width | 0.66 Mts | CTN Weight | 60 Kg 1 Pcs |



| | | | |
|---|-------------|---------------------------|------------------------------|
| 188 Lt Kegerator | | #17900CE | |
| 188 Lts with Single Curved Tap , Single Pull. | | | |
| Specifications | | | |
| CE Certified | Refrigerant | R600a | 125w; 1.10A |
| Dimensions | | Cut out Dimensions | |
| L 60.5 cm | D 63.8 cm | H 87.1 cm | L 63.0 cm D 61.5 cm H 88.5cm |
| CTN Length | 0.00 Mts | CTN Height | 0.890 Mts |
| CTN Width | 0.00 Mts | CTN Weight | 0 Kg 1 Pcs |

ICE CHEST

| | | | |
|---|-----------|---------------------------|-----------------------------------|
| Stainless Steel Ice Chest | | #00002 | |
| 20Kgs capacity, Stainless Steel Construction. | | | |
| Double Walled, Includes Condiment Tray. | | | |
| Perfect for Chilling Drinks for your Outdoor entertainment. | | | |
| Specifications | | | |
| Stainless Steel | 304 Grade | | |
| Dimensions | | Cut out Dimensions | |
| L 42.5 cm | D 51.3 cm | H 48.8 cm | L 35.0 cm D 52.2 cm H 39.5 cm |
| CTN Length | 0.48 Mts | CTN Height | 0.47 Mts |
| CTN Width | 0.58 Mts | CTN Weight | 20 Kg 1 Pcs |



BAR CENTERS



| | | | |
|---|-----------|---------------------------|-----------------------------------|
| 76cm Bar Caddy | | #97623 | |
| Sink with Cold Water Faucet and Cutting Board. | | | |
| Ice Chest with sliding Lid, Removable Condiment Tray. | | | |
| Towel Holder and Bottle Opener. 15kg ice capacity. | | | |
| Specifications | | | |
| Stainless Steel | 304 Grade | | |
| Dimensions | | Cut out Dimensions | |
| L 72.9 cm | D 71.7 cm | H 32.0 cm | L 73.8 cm D 57.8 cm H 24.0 cm |
| CTN Length | 0.84 Mts | CTN Height | 0.35 Mts |
| CTN Width | 0.73 Mts | CTN Weight | 33 Kg 1 Pcs |

| | | | |
|----------------------------------|-----------|---------------------------|-----------------------------------|
| 46cm Bar Caddy | | #85624 | |
| Removable Condiment Tray. | | | |
| Ice Chest with sliding Lid. | | | |
| Towel Holder. 15kg ice capacity. | | | |
| Specifications | | | |
| Stainless Steel | 304 Grade | | |
| Dimensions | | Cut out Dimensions | |
| L 42.7 cm | D 56.7 cm | H 27.4 cm | L 43.5 cm D 57.0 cm H 24.0 cm |
| CTN Length | 0.72 Mts | CTN Height | 0.35 Mts |
| CTN Width | 0.52 Mts | CTN Weight | 23 Kg 1 Pcs |



SINKS

| | | | |
|---|-----------|---------------------------|---------------------------|
| Stainless Steel Sink: Small | | #22389 | |
| 1.2mm 304 Grade Stainless Steel. | | | |
| Hot and Cold Single Lever Water Faucet. | | | |
| Overflow with drain. | | | |
| Specifications | | | |
| Stainless Steel | 304 Grade | | |
| Dimensions | | Cut out Dimensions | |
| L 37.8 cm | D 42.9 cm | H 19.9 cm | L 36 cm D 41 cm H 21.0 cm |
| CTN Length | 0.44 Mts | CTN Height | 0.35 Mts |
| CTN Width | 0.48 Mts | CTN Weight | 8.00 Kg 1 Pcs |



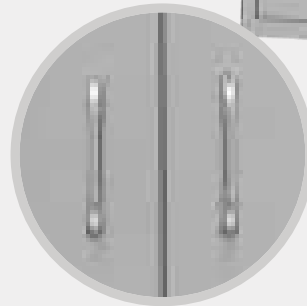
| | | | |
|---|-----------|---------------------------|---------------------------|
| Stainless Steel Sink: Large | | #22391 | |
| 1.2mm 304 Grade Stainless Steel.. | | | |
| Hot and Cold Single Lever Water Faucet. | | | |
| Overflow with drain. | | | |
| Specifications | | | |
| Stainless Steel | 304 Grade | | |
| Dimensions | | Cut out Dimensions | |
| L 48.3 cm | D 45 cm | H 20cm | L 46 cm D 43.3 cm H 21 cm |
| CTN Length | 0.51 Mts | CTN Height | 0.34 Mts |
| CTN Width | 0.55 Mts | CTN Weight | 9.60 Kg 1 Pcs |



| | | | |
|--|-----------|---------------------------|-----------------------------|
| Stainless Steel Sink: Extra Large | | #22392 | |
| 1.2mm 304 Grade Stainless Steel.. | | | |
| Hot and Cold Single Lever Water Faucet. | | | |
| Overflow with drain. | | | |
| Specifications | | | |
| Stainless Steel | 304 Grade | | |
| Dimensions | | Cut out Dimensions | |
| L 60 cm | D 49.5 cm | H 20 cm | L 57.8 cm D 47.8 cm H 21 cm |
| CTN Length | 0.56 Mts | CTN Height | 0.34 Mts |
| CTN Width | 0.65 Mts | CTN Weight | 11.2 Kg 1 Pcs |

DOORS

| | | | |
|---|-----------|---------------------------|------------------------------|
| 76cm Double Door | | #33568 | |
| 1.7mm Gauge Stainless Steel Construction. | | | |
| Double Walled. | | | |
| Internal liner #74000 not included | | | |
| Specifications | | | |
| Stainless Steel | 304 Grade | | |
| Dimensions | | Cut out Dimensions | |
| L 83.8 cm | D 4.9 cm | H 55.7 cm | L 79.0 cm D 5.8 cm H 50.5 cm |
| CTN Length | 0.87 Mts | CTN Height | 0.08 Mts |
| CTN Width | 0.59 Mts | CTN Weight | 9.39 Kg 1 Pcs |



| | | | |
|---|-----------|---------------------------|------------------------------|
| 97cm Double Door | | #34000 | |
| 1.7mm Gauge Stainless Steel Construction. | | | |
| Double Walled. | | | |
| Internal liner #74100 not included | | | |
| Specifications | | | |
| Stainless Steel | 304 Grade | | |
| Dimensions | | Cut out Dimensions | |
| L 102.9 cm | D 4.9 cm | H 55.7 cm | L 98.0 cm D 5.8 cm H 50.5 cm |
| CTN Length | 1.057 Mts | CTN Height | 0.18 Mts |
| CTN Width | 0.66 Mts | CTN Weight | 10.0 Kg 1 Pcs |



| | | | |
|---|-----------|---------------------------|----------------------------|
| Single Horizontal Door | | #89970 | |
| 1.7mm Gauge Stainless Steel Construction. | | | |
| Access Door with Lock & Key. | | | |
| Internal liner #89972 not included | | | |
| Specifications | | | |
| Stainless Steel | 304 Grade | | |
| Dimensions | | Cut out Dimensions | |
| L 64.9 cm | D 3.8 cm | H 46.0 cm | L 59.5cm D 5.8 cm H 39.5cm |
| CTN Length | 0.68 Mts | CTN Height | 0.71 Mts |
| CTN Width | 0.49 Mts | CTN Weight | 5.92 Kg 1 Pcs |



DOORS

| | | |
|--|---------------|---------------------------|
| Right Swing Vertical Door | #89975 | |
| Left Swing Vertical Door | #98552 | |
| 1.7mm Gauge Stainless Steel Construction. | | |
| Double Walled. Internal liner #89973 not included | | |
| Access Door for easy storage of propane/gas lines. | | |
| Specifications | | |
| Stainless Steel | 304 Grade | |
| Dimensions | | Cut out Dimensions |
| L 45.2 cm | D 4.9 cm | H 55.7 cm |
| L 40.0 cm | D 5.8 cm | H 9.5 cm |
| CTN Length | 0.51 Mts | CTN Height |
| CTN Width | 0.34 Mts | CTN Weight |
| | | 5.9 Kg 1 Pcs |



| | | |
|---|---------------|---------------------------|
| Single Access Vented Door | #89977 | |
| 1.7mm Gauge Stainless Steel Construction. | | |
| Double Walled. | | |
| Vertical Single Access Vented Door. | | |
| Specifications | | |
| Stainless Steel | 304 Grade | |
| Dimensions | | Cut out Dimensions |
| L 54.2 cm | D 4.9 cm | H 55.7 cm |
| L 40.0 cm | D 5.8 cm | H 49.6 cm |
| CTN Length | 0.48 Mts | CTN Height |
| CTN Width | 0.60 Mts | CTN Weight |
| | | 4.45 Kg 1 Pcs |

| | | |
|---|---------------|---------------------------|
| Large Vertical Vented Door | #89978 | |
| 1.7mm Gauge Stainless Steel Construction. | | |
| Vented Gas Bottle Door. | | |
| Specifications | | |
| Stainless Steel | 304 Grade | |
| Dimensions | | Cut out Dimensions |
| L 45.2 cm | D 4.9 cm | H 77.5 cm |
| L 40.0 cm | D 5.8 cm | H 71.5 cm |
| CTN Length | 0.80 Mts | CTN Height |
| CTN Width | 0.50 Mts | CTN Weight |
| | | 6 Kg 1 Pcs |



DRAWERS

| | | | |
|---|-----------|---------------------------|---------------|
| Double Drawer | | #56985 | |
| 1.7mm Gauge Stainless Steel Construction. | | | |
| Enclosed Drawer - Soft Closing System. | | | |
| Storage space. | | | |
| Specifications | | | |
| Stainless Steel | | 304 Grade | |
| Dimensions | | Cut out Dimensions | |
| L 35.4 cm | D 52.1 cm | H 53.3 cm | |
| L 32.5 cm | D 53.0 cm | H 49.0 cm | |
| CTN Length | 0.56 Mts | CTN Height | 0.52 Mts |
| CTN Width | 0.38 Mts | CTN Weight | 22 Kg 1 Pcs |



| | | | |
|--|----------|---------------------------|-----------------|
| Gas Tank/Trash Drawer | | #56825 | |
| 1.7mm Gauge Stainless Steel Construction. | | | |
| Enclosed Slide-Out Drawer - Soft Closing System. | | | |
| Storage for Propane Tank/Trash Can. Ventilated. | | | |
| Specifications | | | |
| Stainless Steel | | 304 Grade | |
| Dimensions | | Cut out Dimensions | |
| L 41.9 cm | D 40.6cm | H 55.9 cm | |
| L 36.4 cm | D 41.1cm | H 49.0 cm | |
| CTN Length | 0.45 Mts | CTN Height | 0.46 Mts |
| CTN Width | 0.60 Mts | CTN Weight | 16.3 Kg 1 Pcs |

| | | | |
|--|-----------|---------------------------|-----------------|
| Single Drawer | | #09970 | |
| 1.7mm Gauge Stainless Steel Construction. | | | |
| Slide-Out Drawer - Soft Closing System. | | | |
| Storage Space for your grilling accessories. | | | |
| Specifications | | | |
| Stainless Steel | | 304 Grade | |
| Dimensions | | Cut out Dimensions | |
| L 64.8cm | D 51.8 cm | H 15.2 cm | |
| L 60.0 cm | D 52.2 | H 10.2 cm | |
| CTN Length | 0.67 Mts | CTN Height | 0.18 Mts |
| CTN Width | 0.58 Mts | CTN Weight | 8.71 Kg 1 Pcs |



DRAWERS

| | | | |
|--|-----------|---------------------------|-------------------------------|
| Large Single Drawer | | #09980 | |
| 1.7mm Gauge Stainless Steel Construction. | | | |
| Slide-Out Drawer - Soft Closing System. | | | |
| Storage Space for your grilling accessories. | | | |
| Specifications | | | |
| Stainless Steel | 304 Grade | | |
| Dimensions | | Cut out Dimensions | |
| L 68.3cm | D 60.2 cm | H 29.3 cm | L 63.0 cm D 60.2 cm H 27.3 cm |
| CTN Length | 0.70 Mts | CTN Height | 0.34 Mts |
| CTN Width | 0.62 Mts | CTN Weight | 0.00 Kg 1 Pcs |



| | | | |
|---|-----------|---------------------------|-------------------------------|
| Warming Drawer | | #85747CE | |
| 1.7mm Gauge Stainless Steel Construction. | | | |
| Variable Temperature Control. | | | |
| Moisture Vent Control, Heat-On Light. | | | |
| Specifications | | | |
| Stainless Steel | 304 Grade | 220V, 50Hz, 450W, 2A | |
| Dimensions | | Cut out Dimensions | |
| L 76.2 cm | D 50.7 cm | H 29.4 cm | L 72.5 cm D 52.0 cm H 25.5 cm |
| CTN Length | 0.82 Mts | CTN Height | 0.32 Mts |
| CTN Width | 0.59 Mts | CTN Weight | 32 Kg 1 Pcs |

| | | | |
|---|-----------|---------------------------|-----------------------------|
| Large Pull Out Trash Drawer | | #56925 | |
| 1.7mm Gauge Stainless Steel Construction. | | | |
| Slide-Out Drawer with Hanging Trash Can. | | | |
| Soft Closing System. | | | |
| Specifications | | | |
| Stainless Steel | 304 Grade | | |
| Dimensions | | Cut out Dimensions | |
| L 52.8cm | D 40.0cm | H 68.6cm | L 46.5cm D 41.0cm H 62.0 cm |
| CTN Length | 0.56 Mts | CTN Height | 0.45 Mts |
| CTN Width | 0.71 Mts | CTN Weight | 23 Kg 1 Pcs |



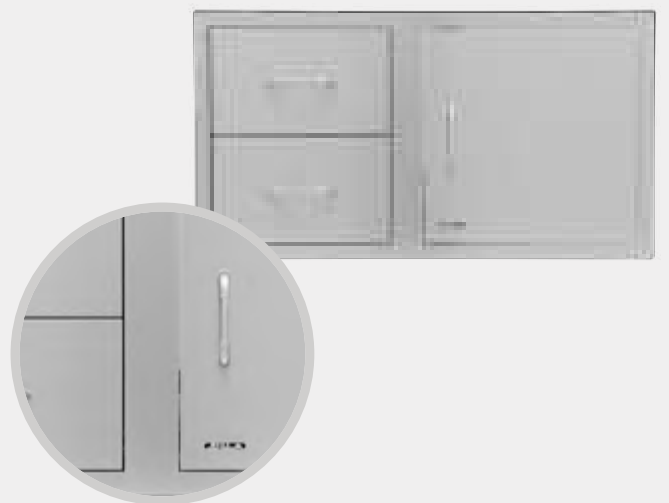
DOOR / DRAWERS COMBOS

| | | | |
|---|-----------|---------------------------|-------------------------------|
| 76cm Door/Drawer Combo | | #25876 | |
| 1.7mm Gauge Stainless Steel Construction. | | | |
| Fully Enclosed Drawer Components - Soft Closing System. | | | |
| Double Lined Doors. Internal liner #89973 not included | | | |
| Specifications | | | |
| Stainless Steel | | 304 Grade | |
| Dimensions | | Cut out Dimensions | |
| L 83.8 cm | D 52.1 cm | H 55.9 cm | L 79.0 cm D 52.8 cm H 50.5 cm |
| CTN Length | 0.87 Mts | CTN Height | 0.59 Mts |
| CTN Width | 0.57 Mts | CTN Weight | 30.3 Kg 1 Pcs |



| | | | |
|--|-----------|---------------------------|-------------------------------|
| Gas Tank Drawer/Door combo | | #65784 | |
| 1.7mm Gauge Stainless Steel Construction. | | | |
| Single Access door and Ventilated Trash and Propane Drawer | | | |
| Soft Closing System. Internal liner #89973 not included | | | |
| Specifications | | | |
| Stainless Steel | | 304 Grade | |
| Dimensions | | Cut out Dimensions | |
| L 83.8 cm | D 40.6 cm | H 55.9 cm | L 79.0 cm D 41.0 cm H 50.5 cm |
| CTN Length | 0.46 Mts | CTN Height | 0.59 Mts |
| CTN Width | 0.57 Mts | CTN Weight | 30.3 Kg 1 Pcs |

| | | | |
|---|----------|---------------------------|-------------------------------|
| 97cm Door/Drawer Combo | | #55875 | |
| 1.7mm Gauge Stainless Steel Construction. | | | |
| Fully Enclosed Drawer Components - Soft Closing System. | | | |
| Double Lined Doors. Internal liner #55877 not included | | | |
| Specifications | | | |
| Stainless Steel | | 304 Grade | |
| Dimensions | | Cut out Dimensions | |
| L 102.9 cm | D 52.1cm | H 55.9 cm | L 98.0 cm D 53.0 cm H 50.5 cm |
| CTN Length | 1.08 Mts | CTN Height | 0.59 Mts |
| CTN Width | 0.57 Mts | CTN Weight | 33.0 Kg 1 Pcs |



MIXED

| | | | |
|---|-----------|---------------------------|-----------------------------------|
| Paper Towel Dispenser | | #73624 | |
| 1.7mm Gauge Stainless Steel Construction. | | | |
| Holds one standard Roll of Paper Towels. | | | |
| Pull-Out Rail | | | |
| Specifications | | | |
| Stainless Steel | 304 Grade | | |
| Dimensions | | Cut out Dimensions | |
| L 27.9 cm | D 28.3 cm | H 40.6 cm | L 23.6 cm D 29.3 cm H 36.3 cm |
| CTN Length | 0.42 Mts | CTN Height | 0.33 Mts |
| CTN Width | 0.31 Mts | CTN Weight | Kg 1 Pcs |



| | | | |
|--|-----------|---------------------------|----------------------------------|
| Drop-In Cutting Board | | #66007 | |
| 1.7mm Gauge Stainless Steel Construction. | | | |
| Removable Stainless Steel Lid, Hard Plastic Cutting Board. | | | |
| Drain in Bottom of Unit, Syphon not included | | | |
| Specifications | | | |
| Stainless Steel | 304 Grade | | |
| Dimensions | | Cut out Dimensions | |
| L 32.1 cm | D 44.0 cm | H 6.7cm | L 28.6 cm D 44.5 cm H 8.4 cm |
| CTN Length | 0.33 Mts | CTN Height | 0.14 Mts |
| CTN Width | 0.50 Mts | CTN Weight | Kg 1 Pcs |

| | | | |
|---|-----------|---------------------------|--------------------------------|
| Bottle Opener | | #66006 | |
| 1.7mm Gauge Stainless Steel Construction. | | | |
| Detachable Cap catch. | | | |
| Easy Mounting Design. | | | |
| Specifications | | | |
| Stainless Steel | 304 Grade | | |
| Dimensions | | Cut out Dimensions | |
| L 15.2 cm | D N/A cm | H 25.4 cm | L N/A cm D N/A cm H N/A cm |
| CTN Length | 0.27 Mts | CTN Height | 0.06 Mts |
| CTN Width | 0.17 Mts | CTN Weight | 0.83 Kg 1 Pcs |



FINISHING FRAMES

| | | | | |
|--|----------|---------------|----------|-------|
| 34cm Finishing Frame | | #93007 | | |
| 304 Grade Stainless Steel Construction. | | | | |
| Designed for: Double Side Burner #30008/9CE & Searing Station#97008/9CE. | | | | |
| CTN Length | 0.39 Mts | CTN Height | 0.05 Mts | |
| CTN Width | 0.24 Mts | CTN Weight | 1.13 Kg | 1 Pcs |



| | | | | |
|---|----------|---------------|----------|-------|
| 60cm Grill Frame | | #97001 | | |
| 304 Grade Stainless Steel Construction. | | | | |
| Designed for: Plancha Griddle #97008 | | | | |
| CTN Length | 0.8 Mts | CTN Height | 0.07 Mts | |
| CTN Width | 0.25 Mts | CTN Weight | 1.25 Kg | 1 Pcs |

| | | | | |
|---|----------|---------------|----------|-------|
| 97cm Grill Frame | | #58726 | | |
| 304 Grade Stainless Steel Construction. | | | | |
| Designed for: Brahma Grill #57568 | | | | |
| CTN Length | 1.11 Mts | CTN Height | 0.08 Mts | |
| CTN Width | 0.26 Mts | CTN Weight | 1.97 Kg | 1 Pcs |

| | | | | |
|---|----------|---------------|----------|-------|
| 64cm Grill Frame | | #69428 | | |
| 304 Grade Stainless Steel Construction. | | | | |
| Designed for: Steer Grill #69008 | | | | |
| CTN Length | 0.78 Mts | CTN Height | 0.07 Mts | |
| CTN Width | 0.25 Mts | CTN Weight | 1.50 Kg | 1 Pcs |

| | | | | |
|---|----------|---------------|----------|-------|
| 116 cm Grill Frame | | #72008 | | |
| 304 Grade Stainless Steel Construction. | | | | |
| Designed for: Diablo Grill #62648 | | | | |
| CTN Length | 1.11 Mts | CTN Height | 0.08 Mts | |
| CTN Width | 0.26 Mts | CTN Weight | 1.97 Kg | 1 Pcs |

| | | | | |
|---|----------|---------------|----------|-------|
| 76cm Grill Frame | | #49328 | | |
| 304 Grade Stainless Steel Construction. | | | | |
| Designed for: Lonestar / Angus Grills #87048 #47628 | | | | |
| CTN Length | 0.92 Mts | CTN Height | 0.07 Mts | |
| CTN Width | 2.25 Mts | CTN Weight | 1.80 Kg | 1 Pcs |

| | | | | |
|--|----------|----------------|----------|-------|
| 120 cm Grill Frame | | # 74327 | | |
| 304 Grade Stainless Steel Construction. | | | | |
| Designed for: 7 Burner Grill Head #18248 | | | | |
| CTN Length | 1.31 Mts | CTN Height | 0.08 Mts | |
| CTN Width | 0.26 Mts | CTN Weight | 2.10 Kg | 1 Pcs |

| | | | | |
|--|----------|---------------|----------|-------|
| Refrigerator Frame | | #99935 | | |
| 304 Grade Stainless Steel Construction. | | | | |
| Designed for: Outdoor Refrigerator #11002CE. | | | | |
| CTN Length | 1.11 Mts | CTN Height | 0.08 Mts | |
| CTN Width | 0.26 Mts | CTN Weight | 1.97 Kg | 1 Pcs |

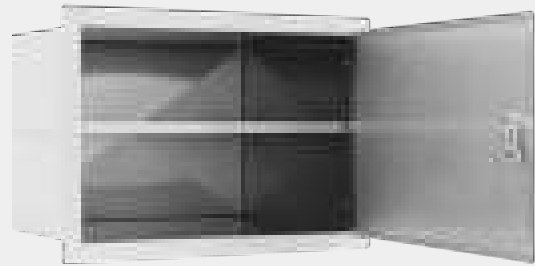


| | | | | |
|---|----------|----------------------|----------|-------|
| Outdoor Fridge / Kegorator Frame | | #13900/#17999 | | |
| 304 Grade Stainless Steel Construction. | | | | |
| Designed for: Outdoor Fridge #13700 / Kegorator #17900CE. | | | | |
| CTN Length | 1.11 Mts | CTN Height | 0.08 Mts | |
| CTN Width | 0.26 Mts | CTN Weight | 1.97 Kg | 1 Pcs |



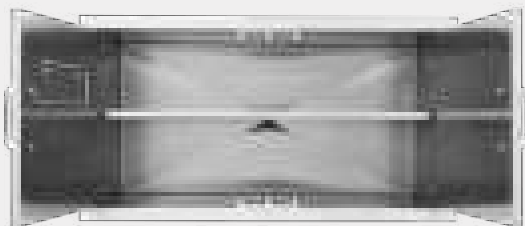
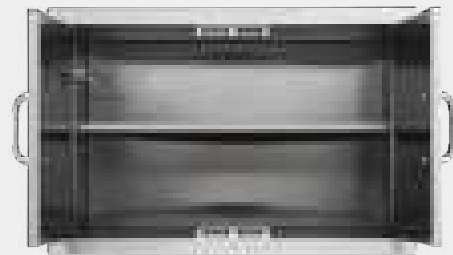
INTERNAL DOOR LINERS

| | | | | |
|--|----------|---------------|----------|-------|
| Internal Liner Horizontal Door | | #89972 | | |
| Fits Horizontal Access Door #89970 with adjustable shelf | | | | |
| 304 grade stainless steel construction | | | | |
| CTN Length | 0.66 Mts | CTN Height | 0.58 Mts | |
| CTN Width | 0.47 Mts | CTN Weight | 15 Kg | 1 Pcs |



| | | | | |
|--|----------|---------------|----------|-------|
| Internal Liner Vertical Door / Combo | | #89973 | | |
| Fits #89975 / #98552 / #65784 / #25876 with adjustable shelf | | | | |
| 304 grade stainless steel construction | | | | |
| CTN Length | 0.57 Mts | CTN Height | 0.58 Mts | |
| CTN Width | 0.47 Mts | CTN Weight | 12 Kg | 1 Pcs |

| | | | | |
|--|----------|---------------|----------|-------|
| Internal Liner 76cm Double Door | | #74000 | | |
| Fits 76cm Double Door #33568 with adjustable shelf | | | | |
| 304 grade stainless steel construction | | | | |
| CTN Length | 0.86 Mts | CTN Height | 0.58 Mts | |
| CTN Width | 0.56 Mts | CTN Weight | 18 Kg | 1 Pcs |



| | | | | |
|--|----------|---------------|----------|-------|
| Internal Liner 97cm Double Door | | #74100 | | |
| Fits 97cm Double Door #34000 with adjustable shelf | | | | |
| 304 grade stainless steel construction | | | | |
| CTN Length | 1.05 Mts | CTN Height | 0.58 Mts | |
| CTN Width | 0.56 Mts | CTN Weight | 21 Kg | 1 Pcs |

| | | | | |
|--|----------|---------------|----------|-------|
| Internal Liner 97cm Combo | | #55877 | | |
| Fits 97cm Door / Drawer Combo #55875 with adjustable shelf | | | | |
| 304 grade stainless steel construction | | | | |
| CTN Length | 0.55 Mts | CTN Height | 0.59 Mts | |
| CTN Width | 0.57 Mts | CTN Weight | 12 Kg | 1 Pcs |



ISLAND VENTS

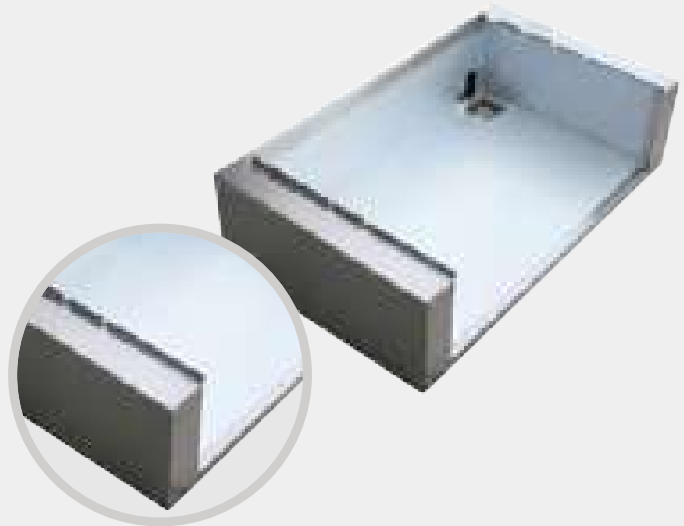


| | | | | |
|---|----------|------------|---------------|--------|
| Island Vent Stainless | | | #42500 | |
| Island Vent Galvanized | | | #41500 | |
| 304 Grade Stainless Steel Construction #52500 | | | | |
| Galvanized Steel Construction #41500 | | | | |
| CTN Length | 0.20 Mts | CTN Height | 0.10 Mts | |
| CTN Width | 0.15 Mts | CTN Weight | 5 Kg | 10 Pcs |

INSULATED GRILL JACKETS

| | | | | |
|--|----------|---------------|----------|-------|
| Insulated Grill Jacket | | #47017 | | |
| For 76 cm Bull Grills. | | | | |
| Required only if the kitchen structure is combustible. | | | | |
| CTN Length | 1.02 Mts | CTN Height | 0.29 Mts | |
| CTN Width | 0.63 Mts | CTN Weight | 24.3 Kg | 1 Pcs |

| | | | | |
|--|----------|---------------|----------|-------|
| Insulated Grill Jacket | | #47018 | | |
| For 97 cm Bull Grills. | | | | |
| Required only if the kitchen structure is combustible. | | | | |
| CTN Length | 1.20 Mts | CTN Height | 0.30 Mts | |
| CTN Width | 0.62 Mts | CTN Weight | 27.6 Kg | 1 Pcs |



EXTRACTOR HOOD



| | | | | |
|--|---------------|------------------|---------------------------|-------------|
| Extractor Hood for 76cm Grills | | #6609CE | | |
| 304 Grade Stainless Steel Construction. | | | | |
| Wall Mounting Hood with Extractor Fan & Speed Contoller. | | | | |
| Sealed IPX 4 LED Light Fitting. 2 Removable Filters. | | | | |
| Specifications | | | | |
| Flow 700 m ³ /h | Power 0.184kW | 220V, 50Hz, 1.8A | | |
| Dimensions | | | Cut out Dimensions | |
| L 100cm | D 70 cm | H 43cm | L N/A | D N/A H N/A |
| CTN Length | 1.10 Mts | CTN Height | 0.88 Mts | |
| CTN Width | 0.51 Mts | CTN Weight | 65 Kg | 1 Pcs |

| | | | | |
|--|---------------|------------------|---------------------------|-------------|
| Extractor Hood for 97cm Grills | | #66098CE | | |
| 304 Grade Stainless Steel Construction. | | | | |
| Wall Mounting Hood with Extractor Fan & Speed Contoller. | | | | |
| Sealed IPX 4 LED Light Fitting. | | | | |
| Specifications | | | | |
| Flow 700 m ³ /h | Power 0.184kW | 220V, 50Hz, 1.8A | | |
| Dimensions | | | Cut out Dimensions | |
| L 120 cm | D 70 cm | H 43cm | L N/A | D N/A H N/A |
| CTN Length | 1.30 Mts | CTN Height | 0.88 Mts | |
| CTN Width | 0.51 Mts | CTN Weight | 75 Kg | 1 Pcs |



OUTDOOR KITCHENS



It takes **SUPERIOR GRILLS** to make the best **OUTDOOR KITCHENS....** *"No one comes close"*

BULL®

OUTDOOR KITCHENS



WITH EVERY OUTDOOR KITCHEN
PURCHASED YOU GET:

Care and Maintenance
Tool Box

Waterproof & Breathable
Sumbrella Sunlast Cover



. . . AND WE WILL BRING YOUR OUTDOOR KITCHEN
TO YOUR KERB SIDE



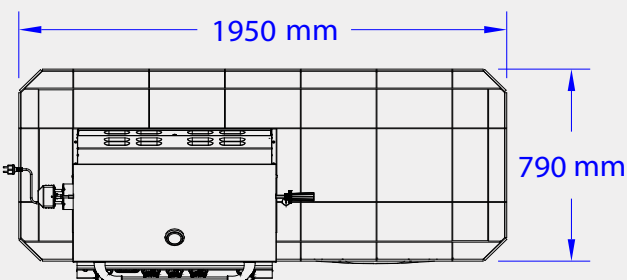
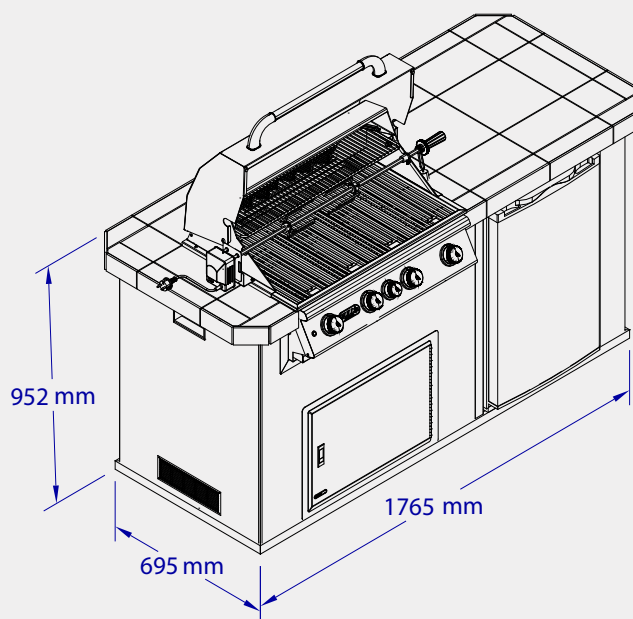
ALL YOU HAVE TO DO IS **PLUG & PLAY**



POWER Q - STANDARD

| STANDARD FEATURES | |
|--|--|
| STUCCO #31006 | |
| Recommended Use. | Commercial / Residential |
| Grill Type as Standard. | Angus #47628CE #47629CE |
| Standard Fridge #11002. | ✓ |
| Stucco Base Standard. | ✓ |
| Tile Top 30cm x 30cm with Bullnose Single Tone or 2-Tone. | ✓ |
| Horizontal Access Door with Lock & Key | #89970 ✓ |
| Power outlet & Switch. | ✓ |
| Sink & Faucet Standard ✓ or N/A ✗ | ✗ |
| STRUCTURE DIMENSIONS | |
| Base Footprint Size. | 176 x 70 cm |
| Top Size. | 195 x 79 cm |
| UPGRADES | |
| Upgrades and Downgrades of Optional Grills within the same size kitchen structure. Brahma add 102MM to Base and Top. | Bison #88787 Lonestar #87048/9 Brahma #57568/9 |
| Upgrade Base Options | Stucco Rock #12397 Rock/Gres #33004 |
| Upgrade from Tile Top To Solid Gres Coverlam. | #43004 |
| Upgrade Stainless Steel Lining with middle shelf for #89970 | #89972 |
| Upgradeable Doors Angus match Codes Only. | Vertical Door #89975 Double Door #33568 Door/Drawer Combo #25876 Trash/Door Combo #65784 |
| Upgrade Lining with adjustable shelf for above. | Vertical Door #89973 Double Door #74000 Combos #89973 |
| Upgradeable Drawers Single Drawer #09970 can only fit with #89970 when under a Grill. | Single Drawer #09970 Large Drawer #09980 Double Drawer #56985 Gas Drawer #55712 Trash Drawer 56925 |
| OPTIONALS | |
| Grill Frame optional. | #49328 |
| Side Burner optional. | #60008 / #60009 |
| Fridge upgrade. | #13700 |
| Bar Caddy optional. | ✗ |
| Cutting Board optional. #66007 | ✓ |
| Bottle Opener optional #66006. | ✓ |
| Large vertical door option for gas bottle insertion from SIDE. No linings possible on face. | #89978 LEFT |
| WARRANTY DETAILS | |
| Island Structure. | 2 years |
| Kitchen Top. | 2 years |
| Gas Flexible Hose. | *2 years |
| *As per international Gas Safety Regulations. | *Must replace every 2 years. |
| PACKING DIMENSIONS | |
| Wooden Crate Length. | 213 cm |
| Wooden Crate Width. | 92 cm |
| Wooden Crate Height. | 200 cm |
| Wooden Crate Cube. | 3.46 m ³ |
| Complete Crated Weight. | Stucco 270.00Kg Rock 350.00Kg |

This Power-Q Outdoor Kitchen is a wonderful addition to any smaller backyard or patio area. It comes standard with a refrigerator to keep your beverages and food cold for all your entertainment needs, while the counter space is great for preparing your favourite recipes.



POWER Q - UPGRADED



| | | |
|-------------|------------------------------|--------|
| TOP | Solid Gres - Titan Antracita | #43004 |
| BASE | Solid Gres - Tempo Antracita | #33004 |

| | | |
|-------------|--------------------------|--------|
| TOP | Solid Gres - Oxido Negro | #43004 |
| BASE | Rock - Golden Harvest | #33004 |

| UPGRADES | ITEM |
|----------|--------------------------|
| #25877 | 76cm Door / Drawer Combo |
| #69428 | 64cm Grill Frame |
| #12403 | Change to Steer Grill |

| UPGRADES | ITEM |
|----------|------------------------------------|
| #33569 | 76cm Double Door |
| #12405 | Premium Outdoor Rated Refrigerator |
| #49328 | 76cm Grill Frame |



| | | |
|-------------|--------------------------|--------|
| TOP | Solid Gres - Oxido Negro | #43004 |
| BASE | Stucco - Mesa Tan | |

| | | |
|-------------|------------------------------|--------|
| TOP | Solid Gres - Titan Antracita | #43004 |
| BASE | Solid Gres - Titan Antracita | #33004 |

| UPGRADES | ITEM |
|----------|--------------------------|
| #25877 | 76cm Door / Drawer Combo |
| #49328 | 76cm Grill Frame |

| UPGRADES | ITEM |
|----------|--------------------------|
| #25877 | 76cm Door / Drawer Combo |
| #49328 | 76cm Grill Frame |
| #89978 | Vented Side Door |

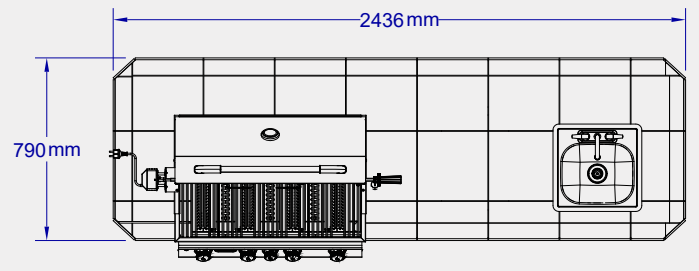
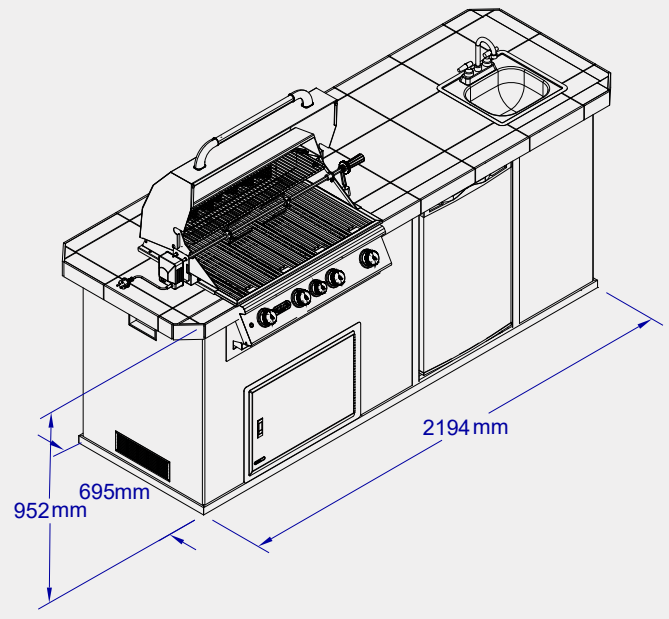


ODK - STANDARD

This Outdoor Kitchen is one of our first and most complete outdoorbarbecuekitchens,providesabackyardentertainment centre and the space to handle all of your outdoor grilling needs. This is the ultimate grilling & entertaining station.



| STANDARD FEATURES | |
|--|---|
| STUCCO #31010 | |
| Recommended Use. | Commercial / Residential |
| Grill Type as Standard. | Angus #47628CE #47629CE |
| Standard Fridge #11002. | ✓ |
| Stucco Base Standard. | ✓ |
| Tile Top 30cm x 30cm with Bullnose Single Tone or 2-Tone. | ✓ |
| Horizontal Access Door with Lock & Key | #89970 ✓ |
| Power outlet & Switch. | ✓ |
| Sink & Faucet | Standard ✓ or N/A ✗ |
| STRUCTURE DIMENSIONS | |
| Base Footprint Size. | 220x 70 cm |
| Top Size. | 243 x 79 cm |
| UPGRADES | |
| Upgrades and Downgrades of Optional Grills within the same size kitchen structure. Brahma add 102MM to Base and Top. | Bison #88787 Lonestar #87048/9 Brahma #57568/9 |
| Upgrade Base Options | Stucco Rock #12397 Rock/Gres #33006 |
| Upgrade from Tile Top To Solid Gres Coverlam. | #43004 |
| Upgrade Stainless Steel Lining with middle shelf for #89970 | #43004 |
| Upgradeable Doors Angus match Codes Only. | Vertical Door #89975 Double Door #33568 Door/Drawer Combo #25876 Trash/Door Combo #65784 |
| Upgrade S/Steel Lining with adjustable shelf for above. | Vertical Door #89973 Double Door #74000 Combos #89973 |
| Upgradeable Drawers Single Drawer #09970 can only fit with #89970 when under a Grill. | Single Drawer #09970 / Large Drawer #09980 Double Drawer #56985 Gas Drawer #55712 Trash Drawer 56925 |
| OPTIONALS | |
| Grill Frame optional. | #49328 |
| Side Burner optional. | #60008 / #60009 |
| Fridge upgrade. | #13700 / #17900 |
| Bar Caddy optional. | #85624 |
| Cutting Board optional #66007 | ✗ |
| Bottle Opener optional #66006. | ✓ |
| Large vertical door option for gas bottle insertion from SIDE. No linings possible on face. | #89978 RIGHT |
| WARRANTY DETAILS | |
| Island Structure. | 2 years |
| Kitchen Top. | 2 years |
| Gas Flexible Hose. | *2 years |
| *As per international Gas Safety Regulations. | *Must replace every 2 years. |
| PACKING DIMENSIONS | |
| Wooden Crate Length. | 261 cm |
| Wooden Crate Width. | 100 cm |
| Wooden Crate Height. | 212 cm |
| Wooden Crate Cube. | 5.53 m ³ |
| Complete Crated Weight. | Stucco 400.00Kg Rock 515.00Kg |



ODK - UPGRADED



| | | |
|-------------|-----------------------------|--------|
| TOP | Solid Gres - Moma Antracita | #43007 |
| BASE | Rock - Grey Stone | #33006 |

| | | |
|-------------|-----------------------------|--------|
| TOP | Solid Gres - Estuario White | #43007 |
| BASE | Solid Gres - Estuario White | #33006 |

| UPGRADES | ITEM |
|------------|------------------------------------|
| #25877 | 76cm Door / Drawer Combo |
| #12405 | Premium Outdoor Rated Refrigerator |
| #60008/9CE | Stainless Steel Side Burner |
| #49328 | 76cm Grill Frame |

| UPGRADES | ITEM |
|------------|-----------------------------|
| #09970 | Single Drawer |
| #60008/9CE | Stainless Steel Side Burner |
| #49328 | 76cm Grill Frame |
| #89978 | Vented Side Door |



| | | |
|-------------|---|--------|
| TOP | Standard Porcelain Tile - Argon Marango | |
| BASE | Solid Gres - Travertino White | #33006 |

| | | |
|-------------|-----------------------------------|--------|
| TOP | Solid Gres - Travertino Antracita | #43007 |
| BASE | Solid Gres - Travertino Antracita | #33006 |

| UPGRADES | ITEM |
|----------|--------------------------|
| #25877 | 76cm Door / Drawer Combo |
| #49328 | 76cm Grill Frame |

| UPGRADES | ITEM |
|----------|---------------------------|
| #89976 | Right Swing Vertical Door |
| #15567 | Bull Premium Large Sink |
| #74327 | 120cm Grill Frame |
| #12410 | Upgrade to 7 Burner |

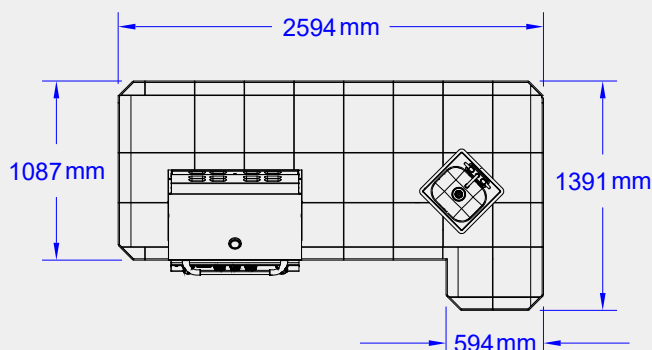
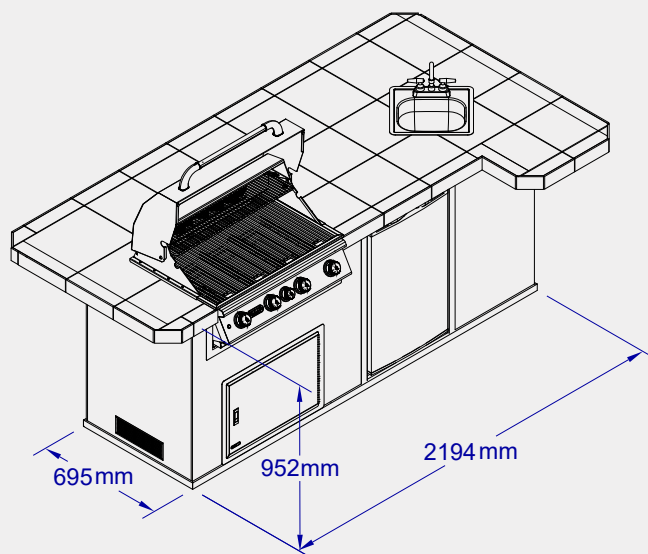


ODK BBQ - STANDARD

The BBQ Outdoor Kitchen is perfect for grilling your favourite recipes. The "L" shaped BBQ design will become the centre of your outdoor cooking and entertainment.



| STANDARD FEATURES | |
|---|---|
| STUCCO #31014 | |
| Recommended Use. | Commercial / Residential |
| Grill Type as Standard. | Angus #47628CE #47629CE |
| Standard Fridge #11002. | ✓ |
| Stucco Base Standard. | ✓ |
| Tile Top 30cm x 30cm with Bullnose Single Tone or 2-Tone. | ✓ |
| Horizontal Access Door with Lock & Key | #89970 ✓ |
| Power outlet & Switch. | ✓ |
| Sink & Faucet | Standard ✓ or N/A ✗ ✓ |
| STRUCTURE DIMENSIONS | |
| Base Footprint Size. | 220 x 70 cm |
| Top Size. | 260 x 109 cm |
| UPGRADES | |
| Upgrades and Downgrades of Optional Grills within the same size kitchen structure. Brahma add 102MM to Base and Top. | Bison #88787 Lonestar #87048/9 Brahma #57568/9 |
| Upgrade Base Options | Stucco Rock #12397 Rock/Gres #33006 |
| Upgrade from Tile Top To Solid Gres Coverlam. | #43004 |
| Upgrade Stainless Steel Lining with middle shelf for #89970 | #43004 |
| Upgradeable Doors Angus match Codes Only. | Vertical Door #89975 Double Door #33568 Door/Drawer Combo #25876 Trash/Door Combo #65784 |
| Upgrade S/Steel Lining with adjustable shelf for above. | Vertical Door #89973 Double Door #74000 Combos #89973 |
| Upgradeable Drawers Single Drawer #09970 can only fit with #89970 when under a Grill. | Single Drawer #09970 / Large Drawer #09980 Double Drawer #56985 Gas Drawer #55712 Trash Drawer 56925 |
| OPTIONALS | |
| Grill Frame optional. | #49328 |
| Side Burner optional. | #60008 / #60009 |
| Fridge upgrade. | #13700 / #17900 |
| Bar Caddy optional. | #85624 |
| Cutting Board optional. #66007 | ✓ |
| Bottle Opener optional #66006. | ✓ |
| Large vertical door option for gas bottle insertion from SIDE. No linings possible on face. | #89978 RIGHT |
| WARRANTY DETAILS | |
| Island Structure. | 2 years |
| Kitchen Top. | 2 years |
| Gas Flexible Hose. | *2 years |
| *As per international Gas Safety Regulations. | *Must replace every 2 years. |
| PACKING DIMENSIONS | |
| Wooden Crate Length. | 278 cm |
| Wooden Crate Width. | 100 cm |
| Wooden Crate Height. | 212 cm |
| Wooden Crate Cube. | 5.89 m ³ |
| Complete Crated Weight. | Stucco 400.00Kg Rock 515.00Kg |



ODK BBQ - UPGRADED



| | |
|-------------|---------------------------------------|
| TOP | Standard Porcelain Tile - BV Paulista |
| BASE | Stucco Rock - Stoney Creek 12 #12397 |

| UPGRADES | ITEM |
|------------|------------------------------------|
| #09970 | Single Drawer |
| #12405 | Premium Outdoor Rated Refrigerator |
| #60008/9CE | Stainless Steel Side Burner |
| #66006 | Bottle Opener |
| #49328 | 76cm Grill Frame |



| | |
|-------------|--------------------------------------|
| TOP | Standard Porcelain Tile - AR Marango |
| BASE | Rock - Grey Stone # 33006 |

| UPGRADES | ITEM |
|------------|------------------------------------|
| #25877 | 76cm Door / Drawer Combo |
| #12405 | Premium Outdoor Rated Refrigerator |
| #60008/9CE | Stainless Steel Side Burner |
| #49328 | 76cm Grill Frame |

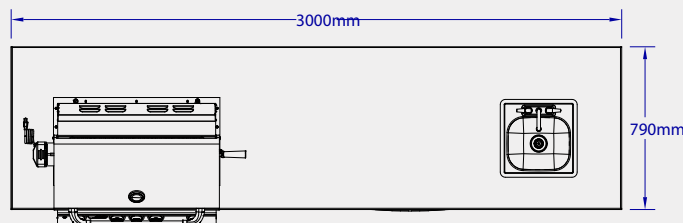
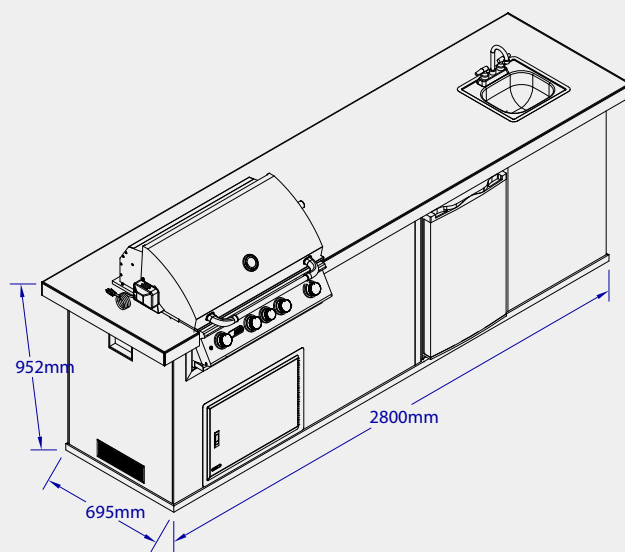


ODK 3Mts - STANDARD

This Outdoor Kitchen is one of our first and most complete outdoor barbecue kitchens, provides a backyard entertainment centre and the space to handle all of your outdoor grilling needs. This is the ultimate grilling & entertaining station.



| STANDARD FEATURES | |
|---|---|
| STUCCO #31013M | |
| Recommended Use. | Commercial / Residential |
| Grill Type as Standard. | Angus #47628CE #47629CE |
| Standard Fridge #11002. | ✓ |
| Stucco Base Standard. | ✓ |
| Tile Top 30cm x 30cm with Bullnose Single Tone or 2-Tone. | ✓ |
| Horizontal Access Door with Lock & Key | #89970 ✓ |
| Power outlet & Switch. | ✓ |
| Sink & Faucet | Standard ✓ or N/A ✗ ✓ |
| STRUCTURE DIMENSIONS | |
| Base Footprint Size. | 280 x 70 cm |
| Top Size. | 300 x 80 cm |
| UPGRADES | |
| Upgrades and Downgrades of Optional Grills within the same size kitchen structure. | ALL GRILLS |
| Upgrade Base Options | Stucco Rock #12397 Rock/Gres #33006 |
| Upgrade from Tile Top To Solid Gres Coverlam. | #43004 |
| Upgrade Stainless Steel Lining with middle shelf for #89970 | #43004 |
| Upgradeable Doors Angus match Codes Only. | Vertical Door #89975 Double Door #33568 Door/Drawer Combo #25876 Trash/Door Combo #65784 |
| Upgrade S/Steel Lining with adjustable shelf for above. | Vertical Door #89973 Double Door #74000 Combos #89973 |
| Upgradeable Drawers Single Drawer #09970 can only fit with #89970 when under a Grill. | Single Drawer #09970 / Large Drawer #09980 Double Drawer #56985 Gas Drawer #55712 Trash Drawer 56925 |
| OPTIONALS | |
| Grill Frame optional. | #49328 |
| Side Burner optional. | #60008 / #60009 |
| Fridge upgrade. | #13700 / #17900 |
| Bar Caddy optional. | #85624 |
| Cutting Board optional. #66007 | ✓ |
| Bottle Opener optional #66006. | ✓ |
| Large vertical door option for gas bottle insertion from SIDE. No linings possible on face. | #89978 RIGHT |
| WARRANTY DETAILS | |
| Island Structure. | 2 years |
| Kitchen Top. | 2 years |
| Gas Flexible Hose. | *2 years |
| *As per international Gas Safety Regulations. | *Must replace every 2 years. |
| PACKING DIMENSIONS | |
| Wooden Crate Length. | 278 cm |
| Wooden Crate Width. | 100 cm |
| Wooden Crate Height. | 212 cm |
| Wooden Crate Cube. | 5.89 m ³ |
| Complete Crated Weight. | Stucco 400.00Kg Rock 515.00Kg |



ODK 3Mts - UPGRADED



| | |
|-------------|------------------------------------|
| TOP | Solid Gres - Moma Antracita #43013 |
| BASE | Solid Gres - Moma Antracita #33013 |

| | |
|-------------|-------------------------------------|
| TOP | Solid Gres - Moma Antracita #43013 |
| BASE | Solid Gres - Tempo Antracita #33013 |

| UPGRADES | ITEM |
|------------|------------------------------------|
| #25877 | 76cm Door / Drawer Combo |
| #12405 | Premium Outdoor Rated Refrigerator |
| #56985 | Double Drawer |
| #30008/9CE | Slide in Double Side Burner |
| #66006 | Bottle Opener |
| #89976 | Right Swing Vertical Door |
| #49328 | 76cm Grill Frame |
| #93007 | 34cm Finishing Frame |

| UPGRADES | ITEM |
|------------|------------------------------------|
| #33569 | 76cm Double Door |
| #12405 | Premium Outdoor Rated Refrigerator |
| #56985 | Double Drawer |
| #30008/9CE | Slide in Double Side Burner |
| #56925 | Large Pull Out Trash Drawer |
| #00000 | Change Grill to Bison Premium |
| #49328 | 76cm Grill Frame |
| #93007 | 34cm Finishing Frame |



| | |
|-------------|-------------------------------------|
| TOP | Solid Gres - Moma Antracita #43013 |
| BASE | Solid Gres - Tempo Antracita #33013 |

| | |
|-------------|-------------------------------------|
| TOP | Solid Gres - Moma Antracita #43013 |
| BASE | Solid Gres - Tempo Antracita #33013 |

| UPGRADES | ITEM |
|----------|-----------------------------|
| #25876 | 76cm Door Drawer Combo |
| #89970 | Slide in Double Side Burner |
| #89975 | Right Swing Vertical Door |
| #13700CE | Outdoor Rated Fridge |
| #12400 | Upgrade to Brahma Grill |

| UPGRADES | ITEM |
|------------|------------------------------------|
| #25877 | 76cm Door / Drawer Combo |
| #12405 | Premium Outdoor Rated Refrigerator |
| #56925 | Large Pull Out Trash Drawer |
| #60008/9CE | Stainless Steel Side Burner |
| #66006 | Bottle Opener |
| #49328 | 76cm Grill Frame |



ODK - STD 3 METRES UPGRADED



| UPGRADES | ITEM |
|------------|-----------------------------|
| #25877 | 76cm Door / Drawer Combo |
| #60008/9CE | Side Burner /Drop in Design |
| #89976 | Right Swing Vertical door |



| UPGRADES | ITEM |
|------------|------------------------------------|
| #09970 | Single Drawer |
| #30008/9CE | Slide in Double Side Burner |
| #56985 | Double Drawer |
| #12405 | Premium Outdoor Rated Refrigerator |



| UPGRADES | ITEM |
|----------|--------------------------|
| #65785 | Gas Tank Door/Door Combo |
| #56985 | Double Drawer |



| UPGRADES | ITEM |
|------------|------------------------------------|
| #33569 | 76cm Double Door |
| #30008/9CE | Slide in Double Side Burner |
| #56985 | Double Drawer |
| #56925 | Large Pull Out Trash Drawer |
| #12405 | Premium Outdoor Rated Refrigerator |
| #12404 | Change to Bison Grill |



| UPGRADES | ITEM |
|------------|------------------------------------|
| #25877 | 76cm Door / Drawer Combo |
| #30008/9CE | Slide in Double Side Burner |
| #89976 | Right Swing Vertical Door |
| #12405 | Premium Outdoor Rated Refrigerator |

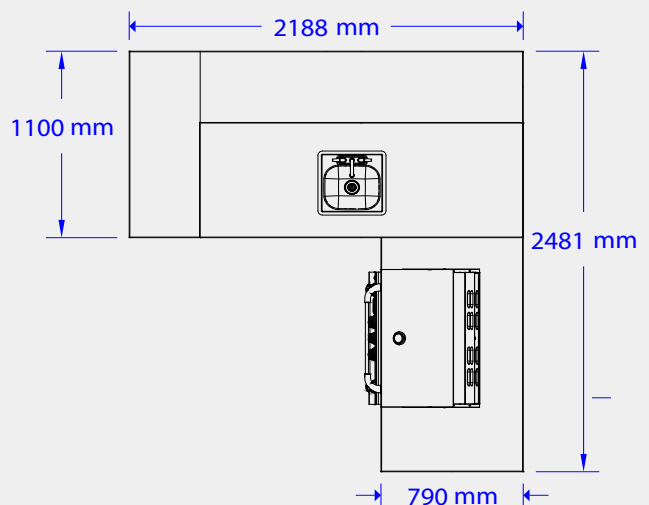
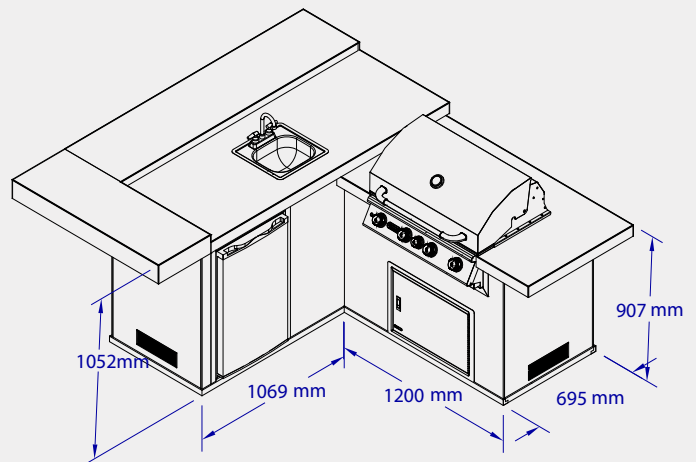


| UPGRADES | ITEM |
|------------|------------------------------------|
| #25877 | 76cm Door / Drawer Combo |
| #30008/9CE | Slide in Double Side Burner |
| #89976 | Right Swing Vertical Door |
| #12405 | Premium Outdoor Rated Refrigerator |
| #17845 | Upgrade to Diablo Grill |

| STANDARD FEATURES | |
|--|---|
| STUCCO #31022 | |
| Recommended Use. | Commercial / Residential |
| Grill Type as Standard. | Angus #47628CE #47629CE |
| Standard Fridge #11002. | ✓ |
| Stucco Base Standard. | ✓ |
| Tile Top 30cm x 30cm with Bullnose Single Tone or 2-Tone. | ✓ |
| Horizontal Access Door with Lock & Key | #89970 ✓ |
| Power outlet & Switch. | ✓ |
| Sink & Faucet Standard ✓ or N/A ✗ | ✗ |
| STRUCTURE DIMENSIONS | |
| Base Footprint Size. | 189 x 177 cm |
| Top Size. | 247 x 218 cm |
| UPGRADES | |
| Upgrades and Downgrades of Optional Grills within the same size kitchen structure. Brahma add 102MM to Base and Top. | Bison #88787 Lonestar #87048/9 Brahma #57568/9 |
| Upgrade Base Options | Stucco Rock #12397 Rock/Gres #33014 |
| Upgrade from Tile Top To Solid Gres Coverlam. | #43010 |
| Upgrade Stainless Steel Lining with shelf for #89970 | #43004 |
| Upgradeable Doors Angus match Codes Only. | Vertical Door #89975 Double Door #33568 Door/Drawer Combo #25876 Trash/Door Combo #65784 |
| Upgrade S/Steel Lining with adjustable shelf for Above. | Vertical Door #89973 Double Door #74000 Combos #89973 |
| Upgradeable Drawers Single Drawer #09970 can only fit with #89970 when under a Grill. | Single Drawer #09970 / Large Drawer #09980 Double Drawer #56985 Gas Drawer #55712 Trash Drawer 56925 |
| OPTIONALS | |
| Grill Frame optional. | #49328 |
| Side Burner optional. | #60008 / #60009 |
| Fridge optional. | #13700 / #17900 |
| Bar Caddy optional. | #85624 |
| Cutting Board optional. #66007 | ✓ |
| Bottle Opener optional #66006. | ✓ |
| Large vertical door option for gas bottle insertion from SIDE. No linings possible on face. | #89978 RIGHT |
| WARRANTY DETAILS | |
| Island Structure. | 2 years |
| Kitchen Top. | 2 years |
| Gas Flexible Hose. | *2 years |
| *As per international Gas Safety Regulations. | *Must replace every 2 years. |
| PACKING DIMENSIONS | |
| Wooden Crate Length. | 240/160 cm |
| Wooden Crate Width. | 100/100 cm |
| Wooden Crate Height. | 212 cm |
| Wooden Crate Cube. | 8.50 m ³ |
| Complete Crated Weight. | Stucco 450.00Kg Rock 550.00Kg |

JR - GOURMET Q

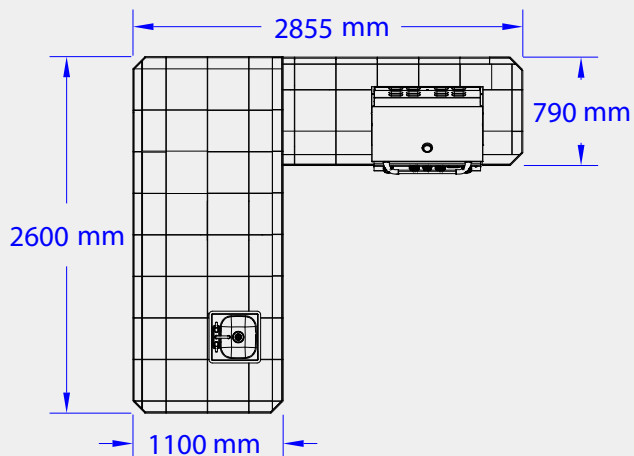
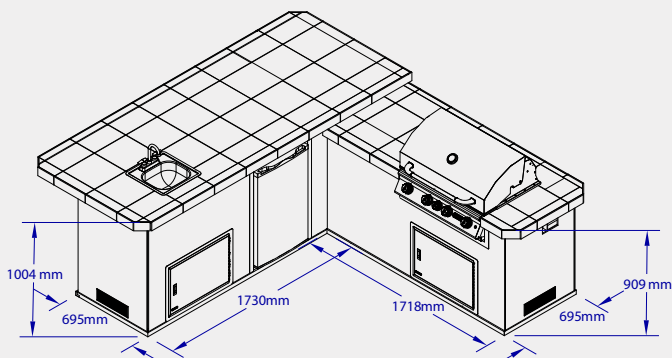
The Jr Gourmet Q - Outdoor Island Kitchen and its ample bar area can seat up to 4 people comfortably. Its smaller "L" shaped design allows for great outdoor entertainment or just simply creating your favourite recipes in a wonderful outdoor setting.



| STANDARD FEATURES | |
|--|--|
| STUCCO #31020 | |
| Recommended Use. | Commercial / Residential |
| Grill Type as Standard. | Angus #47628CE #47629CE |
| Standard Fridge #11002. | ✓ |
| Stucco Base Standard. | ✓ |
| Tile Top 30cm x 30cm with Bullnose Single Tone or 2-Tone. | ✓ |
| Horizontal Access Door with Lock & Key | #89970 ✓ |
| Power outlet & Switch. | ✓ |
| Sink & Faucet | Standard ✓ or N/A ✗ |
| STRUCTURE DIMENSIONS | |
| Base Footprint Size. | 239x 237 cm |
| Top Size. | 288 x 260 cm |
| UPGRADES | |
| Upgrades and Downgrades of Optional Grills within the same size kitchen structure. Brahma add 102MM to Base and Top. | ALL GRILLS |
| Upgrade Base Options | Stucco Rock #12397 Rock/Gres #33015 |
| Upgrade from Tile Top To Solid Gres Coverlam. | #43010 |
| Upgrade Stainless Steel Lining with middle shelf for #89970 | #43003 |
| Upgradeable Doors Angus match Codes Only. | Vertical Door #89975 Double Door #33568 Door/Drawer Combo #25876 Trash/Door Combo #65784 |
| Upgrade S/Steel Lining with adjustable shelf for above. | Vertical Door #89973 Double Door #74000 Combos #89973 |
| Upgradeable Drawers Single Drawer #09970 can only fit with #89970 when under a Grill. | Single Drawer #09970 / Large Drawer #09980 Double Drawer #56985 Gas Drawer #55712 / Trash Drawer 56925 |
| OPTIONALS | |
| Grill Frame optional. | #49328 |
| Side Burner optional. | #60008 / #60009 |
| Fridge upgrade. | #13700 |
| Bar Caddy optional. | #85624 |
| Cutting Board optional. #66007 | ✓ |
| Bottle Opener optional #66006. | ✓ |
| Large vertical door option for gas bottle insertion from SIDE. No linings possible on face. | #89978 LEFT |
| WARRANTY DETAILS | |
| Island Structure. | 2 years |
| Kitchen Top. | 2 years |
| Gas Flexible Hose. | *2 years |
| *As per international Gas Safety Regulations. | *Must replace every 2 years. |
| PACKING DIMENSIONS | |
| Wooden Crate Length. | 263/180 cm |
| Wooden Crate Width. | 100/92 cm |
| Wooden Crate Height. | 202/202 cm |
| Wooden Crate Cube. | 8.70 m ³ |
| Complete Crated Weight. | Stucco 750.00Kg Rock 990.00Kg |

GOURMET Q

The Gourmet Q Outdoor Island Kitchen is the largest of our islands. Its spacious bar area is perfect for a luxurious outdoor dining experience and ideal for entertaining. With its ample space for seating you can serve up your favourite grilling recipes in style.

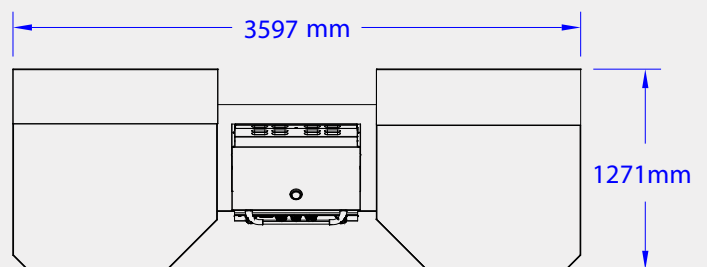
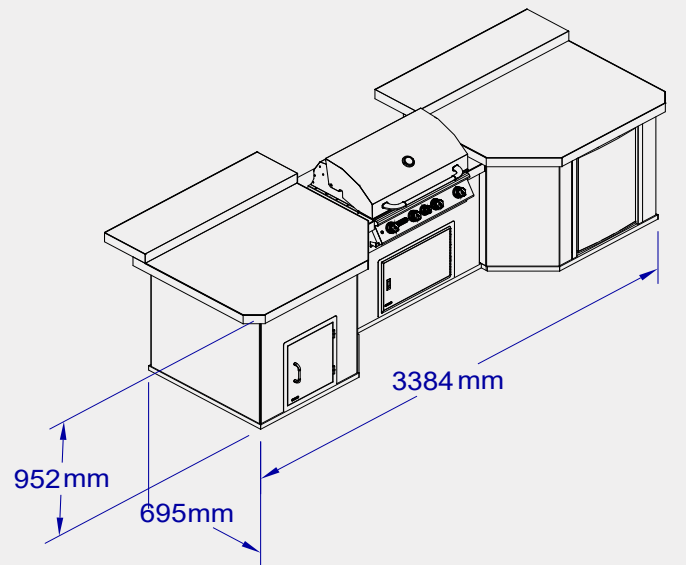


MEGA - Q

One of our newest and largest islands, the Mega Q Outdoor Island Kitchen is the ultimate grilling station.



| STANDARD FEATURES | |
|---|---|
| STUCCO #31083 | |
| Recommended Use. | Commercial / Residential |
| Grill Type as Standard. | Angus #47628CE #47629CE |
| Standard Fridge #11002. | ✓ |
| Stucco Base Standard. | ✓ |
| Tile Top 30cm x 30cm with Bullnose Single Tone or 2-Tone. | ✓ |
| Horizontal Access Door with Lock & Key | #89970 ✓ |
| Power outlet & Switch. | ✓ |
| Sink & Faucet Standard ✓ or N/A ✗ | ✗ |
| STRUCTURE DIMENSIONS | |
| Base Footprint Size. | 323 x 95 cm |
| Top Size. | 342 x 127 cm |
| UPGRADES | |
| Upgrades and Downgrades of Optional Grills within the same size kitchen structure. Brahma add 102MM to Base and Top. | Bison #88787 Lonestar #87048/9 Brahma #57568/9 |
| Upgrade Base Options | Stucco Rock #12397 |
| Upgrade from Tile Top To Solid Gres Coverlam. | #43010 |
| Upgrade Stainless Steel Lining with middle shelf for #89970 | #43003 |
| Upgradeable Doors Angus match Codes Only. | Vertical Door #89975 Double Door #33568 Door/Drawer Combo #25876 Trash/Door Combo #65784 |
| Upgrade S/Steel Lining with adjustable shelf for above. | Vertical Door #89973 Double Door #74000 Combos #89973 |
| Upgradeable Drawers Single Drawer #09970 can only fit with #89970 when under a Grill. | Single Drawer #09970 / Large Drawer #09980 Double Drawer #56985 Gas Drawer #55712 Trash Drawer 56925 |
| OPTIONALS | |
| Grill Frame optional. | #49328 |
| Side Burner optional. | #60008 / #60009 |
| Fridge optional. | #13700 / #17900 |
| Bar Caddy optional. | #85624 |
| Cutting Board optional. #66007 | ✓ |
| Bottle Opener optional #66006. | ✓ |
| Large vertical door option for gas bottle insertion from SIDE. No linings possible on face. | #89978 LEFT |
| WARRANTY DETAILS | |
| Island Structure. | 2 years |
| Kitchen Top. | 2 years |
| Gas Flexible Hose. | *2 years |
| *As per international Gas Safety Regulations. | *Must replace every 2 years. |
| PACKING DIMENSIONS | |
| Wooden Crate Length. | 146/146/126 cm |
| Wooden Crate Width. | 140/140/120 cm |
| Wooden Crate Height. | 203 cm |
| Wooden Crate Cube. | 10.57 m ³ |
| Complete Crated Weight. | Stucco 830.00Kg |



CUSTOM KITCHENS

MEGA Q UPGRADED



ODK - CUSTOM 3 Mts COMBO ANGUS / PIZZA



ODK - CUSTOM 4.5 Mts COMBO BISON / ANGUS



ODK - CUSTOM 3.5Mts Bar Ceter

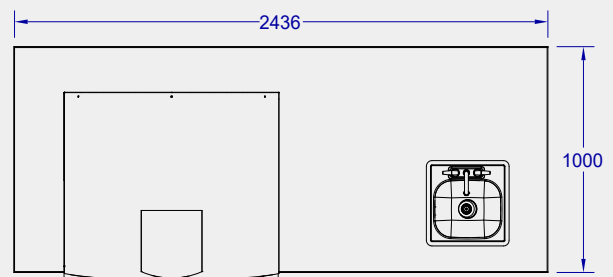
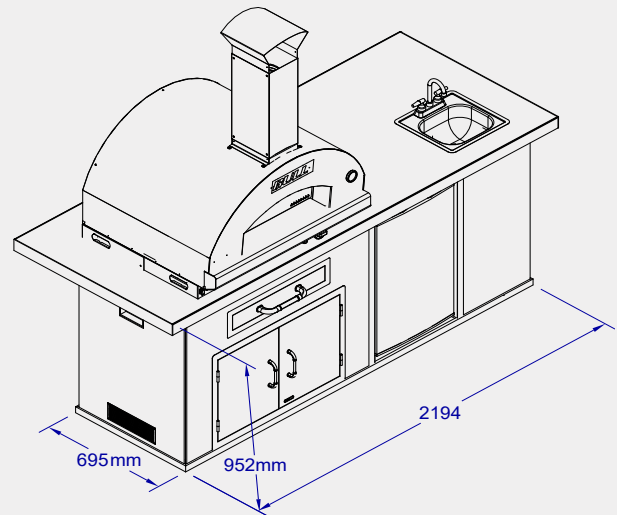


ODK - CUSTOM 3Mts



PIZZA - Q ISLAND

The new Pizza Q Outdoor Island Kitchen is built for the ultimate pizza party. Our new wood-fired oven is built in Italy with solid welded construction, steel & electro galvanized steel. This pre-assembled oven sits in a very functional structure that has seating at both ends of the bar.



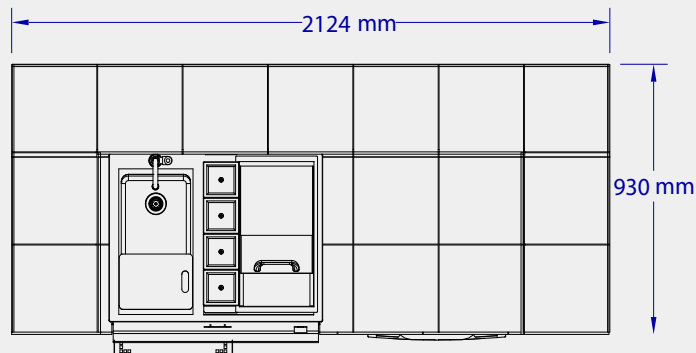
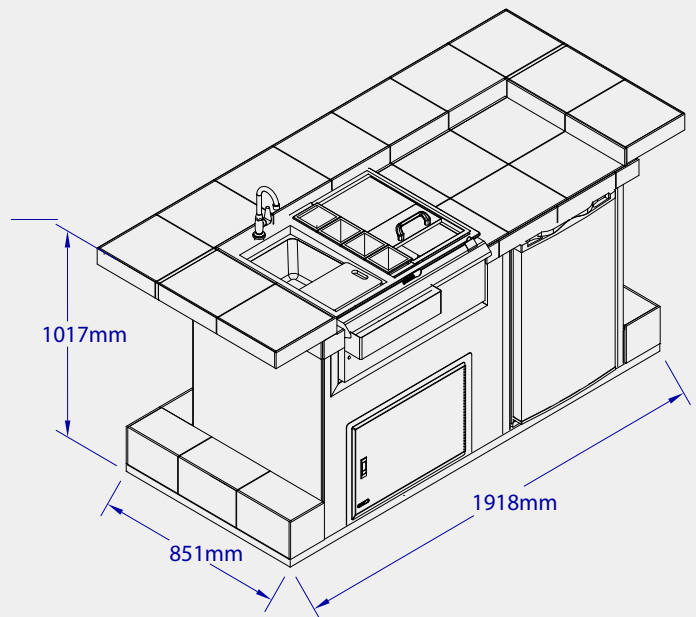
| STANDARD FEATURES | |
|---|--|
| STUCCO #31099 / Rock/Gres #31100 | |
| Recommended Use. | Commercial / Residential |
| Grill Type as Standard. | #66024 |
| Standard Fridge #11002. | ✓ |
| Stucco Base Standard. | ✓ |
| Tile Top 30cm x 30cm with Bullnose Single Tone or 2-Tone. | ✗ |
| Horizontal Access Door with Lock & Key | #89970 ✓ |
| Power outlet & Switch. | ✗ |
| Sink & Faucet Standard ✓ or N/A ✗ | ✓ |
| STRUCTURE DIMENSIONS | |
| Base Footprint Size. | 206 x 65 cm |
| Top Size. | 206 x 100 cm |
| UPGRADES | |
| Upgrades and Downgrades of Optional Pizza Ovens within the same size kitchen structure. | #66040 XL Wood Oven #66124CE Large Gas Oven #66140CE XL Gas Oven |
| Upgrade Base Options | Stucco Rock #12397 Base tile Trim Upgrade #12406 |
| Upgrade from Tile Top To Solid Gres Coverlam and Stainless Steel Bullnose. | #43010 |
| Upgrade Stainless Steel Lining with middle shelf for #89970 | #43003 |
| Upgradeable Doors Angus match Codes Only. | ✗ |
| Upgrade S/Steel Lining with middle shelf for Above. | Vertical Door #89973 |
| Upgradeable Drawers Single Drawer#09970 can fit only with #89970 when under a Grill. | ✗ |
| OPTIONALS | |
| Grill Frame optional. | ✗ |
| Side Burner optional. | ✗ |
| Fridge optional. | ✗ |
| Bar Caddy optional. | ✗ |
| Cutting Board optional. | ✗ |
| Bottle Opener optional #66006. | ✓ |
| Large vertical door option for gas bottle insertion from SIDE. No linings possible on face. | ✗ |
| WARRANTY DETAILS | |
| Island Structure. | 2 years |
| Kitchen Top. | 2 years |
| Gas Flexible Hose. | *2 years |
| *As per international Gas Safety Regulations. | *Must replace every 2 years. |
| PACKING DIMENSIONS | |
| Wooden Crate Length. | 260 cm |
| Wooden Crate Width. | 100 cm |
| Wooden Crate Height. | 202 cm |
| Wooden Crate Cube. | 5.25 cm |
| Complete Crated Weight. | Stucco 300.00Kg Rock 380.00Kg |



ENTERTAINERS - BAR

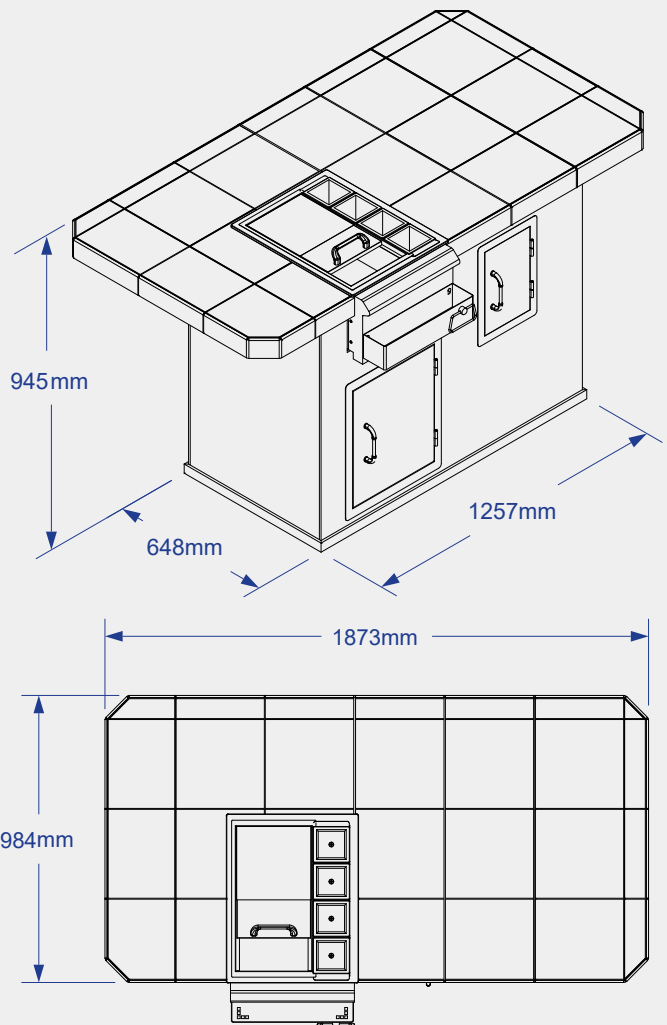
| STANDARD FEATURES | |
|--|---|
| STUCCO #31031 / ROCK/GRES #31032 | |
| Recommended Use. | Commercial / Residential |
| Grill Type as Standard. | ✗ |
| Standard Fridge #11002. | ✓ |
| Stucco Base Standard. | ✓ |
| Rock / Gres Base Standard. | #31032 Only |
| Tile Top 30cm x 30cm with Bullnose Single Tone or 2-Tone. | ✓ |
| Horizontal Access Door with Lock & Key | #89970 ✓ |
| Power outlet & Switch. | ✗ |
| Bar Center Standard ✓ or N/A ✗ | #97623 |
| STRUCTURE DIMENSIONS | |
| Base Footprint Size. | 192 x 85 cm |
| Top Size. | 213 x 93 cm |
| UPGRADES | |
| Upgrades and Downgrades of Optional Grills within the same size kitchen structure. Brahma add 102MM to Base and Top. | ✗ |
| Upgrade Base Options | Stucco Rock #12397 Base tile Trim Upgrade #12406 |
| Upgrade from Tile Top To Solid Gres Coverlam and Stainless Steel Bullnose. | #43010 |
| Upgrade Stainless Steel Lining with middle shelf for #89970 | #43003 |
| Upgradeable Doors | Double Doors #33568 Dr/Drw Combo #25876 Trash/Door Combo #65785 |
| Upgrade S/Steel Lining with middle shelf for Above. | Double Doors #74000 Combos #89973 |
| Upgradeable Drawers Single Drawer #09970 can only fit with #89970 when under a Bar Centre. | Single Drawer #09970 |
| OPTIONALS | |
| Grill Frame optional. | ✗ |
| Side Burner optional. | ✗ |
| Fridge optional. | #13700CE |
| Bar Caddy optional. | ✗ |
| Cutting Board optional. | ✗ |
| Bottle Opener optional #66006. | ✗ |
| Large vertical door option for gas bottle insertion from SIDE. No linings possible on face. | ✗ |
| WARRANTY DETAILS | |
| Island Structure. | 2 years |
| Kitchen Top. | 2 years |
| Gas Flexible Hose. | ✗ |
| *As per international Gas Safety Regulations. | ✗ |
| PACKING DIMENSIONS | |
| Wooden Crate Length. | 261cm |
| Wooden Crate Width. | 100 cm |
| Wooden Crate Height. | 115 cm |
| Wooden Crate Cube. | 3.61 m ³ |
| Complete Crated Weight. | Stucco 300.00Kg Rock 380.00Kg |

The Entertainer's Bar is a wonderful choice for those looking to have guests over for cocktails. This bar also includes plenty of counterspace for appetizers or whatever you choose to serve your guests.



POWER - BAR

The Power Bar - Outdoor Island is a great place to gather around with friends and family for refreshments. This Island comfortably seats 4 adults. The 458mm Bar Centre is the perfect place to chill your favourite drinks and condiments.



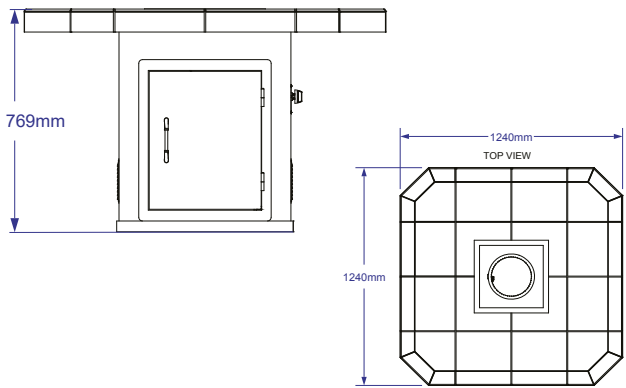
| STANDARD FEATURES | |
|--|---|
| STUCCO #31047 / ROCK/GRES #31048 | |
| Recommended Use. | Commercial / Residential |
| Grill Type as Standard. | ✗ |
| Standard Fridge #11002. | ✗ |
| Stucco Base Standard. | ✓ |
| Rock / Gres Base Standard. | #31048 Only |
| Tile Top 30cm x 30cm with Bullnose Single Tone or 2-Tone. | ✓ |
| Horizontal Access Door with Lock & Key | #89970 ✓ |
| Power outlet & Switch. | ✗ |
| Sink & Faucet Standard ✓ or N/A ✗ | #85624 |
| STRUCTURE DIMENSIONS | |
| Base Footprint Size. | 126 x 65 cm |
| Top Size. | 188 x 99 cm |
| UPGRADES | |
| Upgrades and Downgrades of Optional Grills within the same size kitchen structure. Brahma add 102MM to Base and Top. | ✗ |
| Upgrade Base Options | Stucco Rock #12397/ Base tile Trim Upgrade #12406 |
| Upgrade from Tile Top To Solid Gres Coverlam and Stainless Steel Bullnose. | #43010 |
| Upgrade Stainless Steel Lining with middle shelf for #89970 | #LINHD |
| Upgradeable Doors | #89975 #98552 |
| Upgrade S/Steel Lining with middle shelf for Above. | Vertical Door #89973 |
| Upgradeable Drawers Single Drawer #09970 can only fit with #89970 when under a Bar Centre. | ✗ |
| OPTIONALS | |
| Grill Frame optional. | ✗ |
| Side Burner optional. | ✗ |
| Fridge optional. | ✗ |
| Bar Caddy optional. | ✗ |
| Cutting Board optional. | ✗ |
| Bottle Opener optional #66006. | ✓ |
| Large vertical door option for gas bottle insertion from SIDE. No linings possible on face. | ✗ |
| WARRANTY DETAILS | |
| Island Structure. | 2 years |
| Kitchen Top. | 2 years |
| Gas Flexible Hose. | *2 years |
| *As per international Gas Safety Regulations. | *Must replace every 2 years. |
| PACKING DIMENSIONS | |
| Wooden Crate Length. | 140 cm |
| Wooden Crate Width. | 100 cm |
| Wooden Crate Height. | 115 cm |
| Wooden Crate Cube. | 1.61 m ³ |
| Complete Crated Weight. | Stucco 300.00Kg - Rock 400.00Kg |



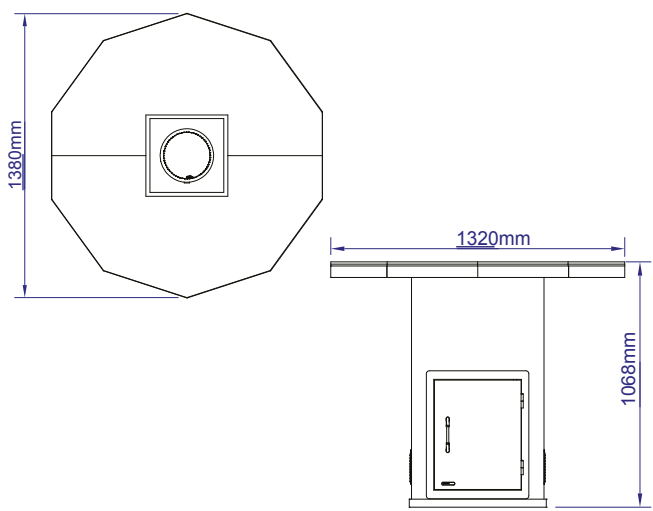
OUTDOOR FIRE TABLES



SQUARE LOW FIRE TABLE



DECAGON BAR FIRE TABLE



Fire Table shown in Boulevard Paulista/Andrassy Tile
Upgarde Stucco Rock SR12 Stony Creek #3341 Tempered Glass #03341
Available in Natural Gas or Propane

Base Finishes: Stucco (Standard)



Cream - 9312



Blue Gray - 68



Aspin - 90



Mesa Tan - 9315

Porcelain Tile Tops (Standard)



AB Cotto

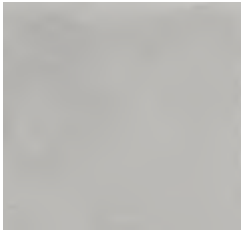


AB Paja

**A
B
A
D
I
A**



AR Marango



AR Perla

**A
R
G
O
N**



BV Reforma



BV Gracia



BV Paulista



BV Andrassy

**B
O
U
L
E
V
A
R
D**



HS Noce



HS Beige



HS Cream



HS Grey

**H
O
M
E
S
T
E
A
D**



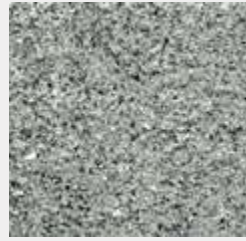
Base Finishes: Stucco Rock (Option)



Stony Creek - 12



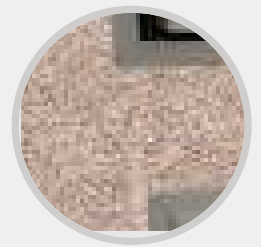
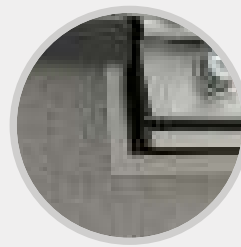
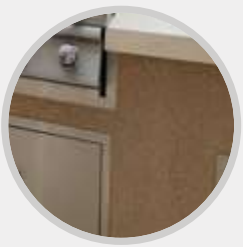
White Ash - 14



Champagne Grey - 16



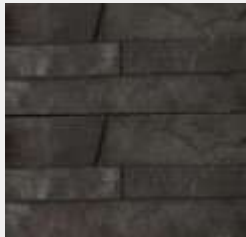
River Rock - 15



Base Finishes: Rock (Option)



Golden Harvest



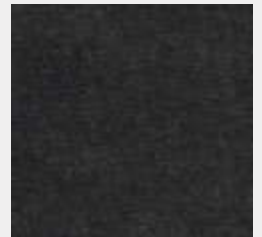
Grey Stone



Mesa white

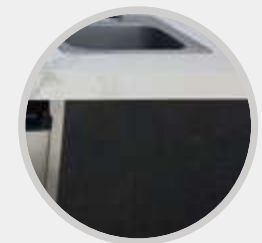
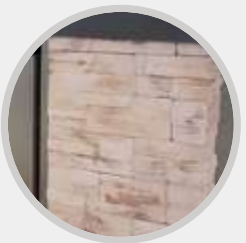
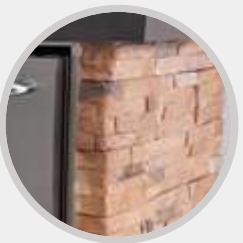


Tempo Antracita



Bluestone Negro

Gres (Option)



** Due to potential colour differences among computer monitors & printers we cannot guarantee that the colour you see on page is an exact colour reproduction of finished product. Colours may also vary between product lot numbers.

Solid Gres Upgrades for Tops or Bases

GRES PANIA COVERLAM
CERAMICA 3.5mm



CL Travertino
White



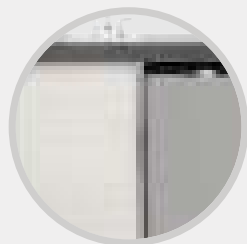
CL Estatuario
White



CL Supremo
Pulido (Polished)



CL Nogal
Wood



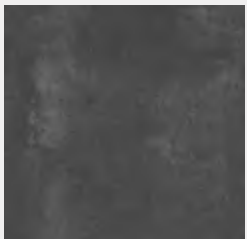
CL Basic
Tobacco



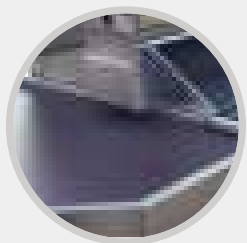
CL Oxido
Negro



CL Travertino
Antracita



CL Moma
Antracita



** Due to potential colour differences among computer monitors & printers we cannot guarantee that the colour you see on page is an exact colour reproduction of finished product. Colours may also vary between product lot numbers.



PIZZA ACCESSORIES



| | | | | |
|--|----------|------------|----------------|-------|
| Bull® Pizza Stone for Grill | | | # 24125 | |
| Refractory stone. | | | | |
| Stainless steel base with thermometer. | | | | |
| CTN Length | 0.44 Mts | CTN Height | 0.16 Mts | |
| CTN Width | 40.0 Mts | CTN Weight | 4.50 Kg | 2 Pcs |



| | | | | |
|-----------------------------------|------------|------------|----------------|-------|
| Bull® Pizza Stone Scrubber | | | # 24127 | |
| Stainless steel bristles. | | | | |
| Ergonomic handle. | | | | |
| CTN Length | 0.47 Mts | CTN Height | 0.16 Mts | |
| CTN Width | 0.12.5 Mts | CTN Weight | 2.00 Kg | 6 Pcs |



| | | | | |
|---------------------------|----------|------------|----------------|-------|
| Bull® Pizza Cutter | | | # 24128 | |
| Stainless steel Blade. | | | | |
| Wood handle. | | | | |
| CTN Length | 0.38 Mts | CTN Height | 0.08 Mts | |
| CTN Width | 0.15 Mts | CTN Weight | 2.21 Kg | 4 Pcs |



| | | | | |
|--------------------------------|----------|------------|----------------|-------|
| Bull® 382mm Pizza Stone | | | # 24208 | |
| Refractory stone. | | | | |
| CTN Length | 0.46 Mts | CTN Height | 0.17 Mts | |
| CTN Width | 0.45 Mts | CTN Weight | 12.0 Kg | 3 Pcs |



| | | | | |
|-----------------------------------|----------|------------|----------------|-------|
| Bull® Hardwood Rolling Pin | | | # 24222 | |
| Silicon rings for 3mm crust. | | | | |
| CTN Length | 0.49 Mts | CTN Height | 0.15 Mts | |
| CTN Width | 0.11 Mts | CTN Weight | 3.29 Kg | 6 Pcs |



| | | | | |
|------------------------------|----------|------------|----------------|-------|
| Bull® Wood Pizza Peel | | | # 24224 | |
| All wood. | | | | |
| CTN Length | 0.38 Mts | CTN Height | 0.75 Mts | |
| CTN Width | 0.62 Mts | CTN Weight | 4.49 Kg | 4 Pcs |



| | | | | |
|--|----------|------------|----------------|-------|
| Bull® Professional Pizza Tools Kit with Black Powder Coated Stand | | | # 66035 | |
| Professional Grade Aluminum Tools with 1mtr Handle & Wood Grip | | | | |
| Contains Turning Peel, Ash Shovel, Brass Bristle Brush, Ember Mover, Scraper | | | | |
| CTN Length | 1.40 Mts | CTN Height | 0.40 Mts | |
| CTN Width | 0.40 Mts | CTN Weight | 15 Kg | 1 Pcs |



GRILLING ACCESSORIES



GRILLING TOOLS

Bull® Spatula**#24101**

Stainless Steel construction with contoured Wood handle and Built-in Bottle Opener.

| | | | | |
|------------|----------|------------|---------|-------|
| CTN Length | 0.56 Mts | CTN Height | 0.9 Mts | |
| CTN Width | 0.21 Mts | CTN Weight | 3.10 Kg | 6 Pcs |

**Bull® Tong****#24102**

Stainless Steel construction with contoured Wood Grip.

| | | | | |
|------------|----------|------------|----------|-------|
| CTN Length | 0.47 Mts | CTN Height | 0.26 Mts | |
| CTN Width | 0.11 Mts | CTN Weight | 3.24 Kg | 6 Pcs |

**Bull® Big Head Grill Brush****#24103**

Stainless Steel Construction with contoured handle & replaceable oversized brush head #24235.

| | | | | |
|------------|----------|------------|----------|-------|
| CTN Length | 0.51 Mts | CTN Height | 0.28 Mts | |
| CTN Width | 0.12 Mts | CTN Weight | 3.41 Kg | 6 Pcs |

**Bull® Basting Brush with Silicone Head****#24130**

Wood Handle with Silicon removable Head Brush for easy cleaning.

| | | | | |
|------------|----------|------------|----------|--------|
| CTN Length | 0.41 Mts | CTN Height | 0.12 Mts | |
| CTN Width | 0.15 Mts | CTN Weight | 1.60 Kg | 12 Pcs |



GRILLING TOOLS

| | | | | |
|--|----------|---------------|----------|-------|
| Pit Mit® - The Ultimate BBQ Mitt | | #24134 | | |
| Pit Mit Gloves withstands extreme heat up to 246 degree Celsius. | | | | |
| Reversible to fit both left or right hands, With Silicone Bull Logo. | | | | |
| CTN Length | 0.38 Mts | CTN Height | 0.10 Mts | |
| CTN Width | 0.18 Mts | CTN Weight | 1.03 Kg | 6 Pcs |



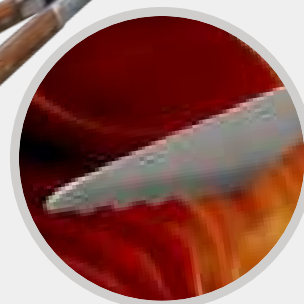
| | | | | |
|------------------------------------|----------|----------------|---------|--------|
| Bull® Grill Scraper | | # 24142 | | |
| Tailored to fit Bull Grill Grates. | | | | |
| CTN Length | 0.52 Mts | CTN Height | 0.8 Mts | |
| CTN Width | 0.15 Mts | CTN Weight | 2.41 Kg | 12 Pcs |



| | | | | |
|---|----------|----------------|----------|-------|
| Bull® Grill Grate Lifter | | # 24145 | | |
| S/Steel Construction, Heat Shield protects hands from the heat, Sturdy enough to lift heavy Stainless Steel and Cast Iron Grates. | | | | |
| CTN Length | 0.35 Mts | CTN Height | 0.38 Mts | |
| CTN Width | 0.15 Mts | CTN Weight | 3.43 Kg | 6 Pcs |



| | | | | |
|--|----------|----------------|----------|--------|
| Bull® Hardwood Long Handle Tongs | | # 24282 | | |
| S/Steel Construction, The saw tooth design is great for handling delicate fish or juicy steaks. it's a must have for your outdoor kitchen. | | | | |
| CTN Length | 0.23 Mts | CTN Height | 0.20 Mts | |
| CTN Width | 0.56 Mts | CTN Weight | 14 Kg | 24 Pcs |



GRILLING TOOLS

Bull® Hardwood Long Handle Knife # 24283

S/Steel Construction. With the long handled feature the Bull Grill Master Knife will allow you to carve right off the BBQ.

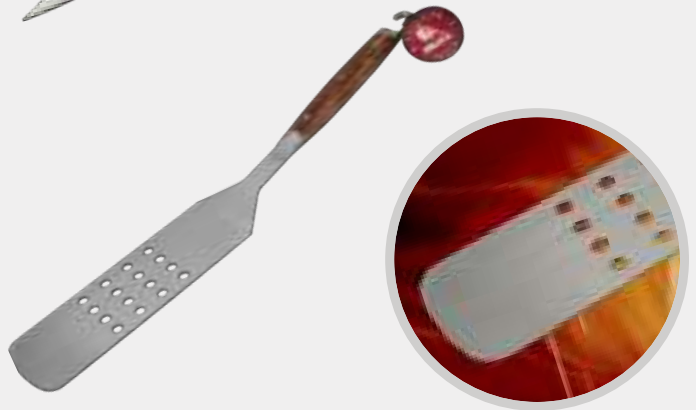
| | | | | |
|------------|----------|------------|----------|--------|
| CTN Length | 0.13 Mts | CTN Height | 0.15 Mts | |
| CTN Width | 0.54 Mts | CTN Weight | 7.10 Kg | 24 Pcs |



Bull® Hardwood Long Handle Spatula # 24284

S/Steel Construction. The perforated elongated design is great for handling delicate fish or juicy burgers.

| | | | | |
|------------|----------|------------|----------|--------|
| CTN Length | 0.28 Mts | CTN Height | 0.18 Mts | |
| CTN Width | 0.53 Mts | CTN Weight | 10.20 Kg | 24 Pcs |



GRILLING AIDS

Bull® Marinade Injector # 24205

Long S/Steel Needle that allows for easy injection of flavours for grilling the perfect meat.

| | | | | |
|------------|----------|------------|----------|--------|
| CTN Length | 0.23 Mts | CTN Height | 0.22 Mts | |
| CTN Width | 0.12 Mts | CTN Weight | 1.45 Kg | 12 Pcs |



Bull® Bamboo Chopping Block # 52565

Extremely durable, less prone to bacteria composed of natural bamboo and can handle the toughest cutting and chopping jobs.

| | | | | |
|------------|----------|------------|---------|-------|
| CTN Length | 0.58 Mts | CTN Height | 0.6 Mts | |
| CTN Width | 0.40 Mts | CTN Weight | 5.5 Kg | 1 Pcs |



GRILLING AIDS

| | | | | |
|--|----------|------------|---------------|-------|
| Bull® Cast Iron Rectangular Grill Press | | | #24132 | |
| Cast Iron Construction, measuring 11.5 cm W x 23 cm L. | | | | |
| Wood handle. | | | | |
| CTN Length | 0.34 Mts | CTN Height | 0.25 Mts | |
| CTN Width | 0.14 Mts | CTN Weight | 8.69 Kg | 6 Pcs |



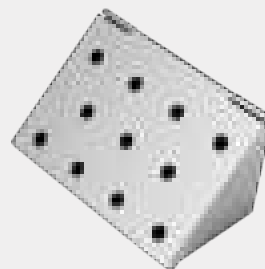
| | | | | |
|---|----------|------------|----------------|-------|
| Bull® Cedar Wood Grilling Planks/Set 3 | | | # 24146 | |
| The Cedar wood Grilling Planks are great for fish and infuse food with the delicious flavour of smoked cedar. Set of 3. | | | | |
| CTN Length | 0.24 Mts | CTN Height | 0.16 Mts | |
| CTN Width | 0.31 Mts | CTN Weight | 3.90 Kg | 6 Pcs |



| | | | | |
|---|----------|------------|----------------|--------|
| Bull® Plank Saver with Side Handles | | | # 24147 | |
| Stainless Steel Construction, re-usable tray with side easy grip handle, ideal to serve straight from the grill to the table. | | | | |
| CTN Length | 0.38 Mts | CTN Height | 0.16 Mts | |
| CTN Width | 0.17 Mts | CTN Weight | 2.90 Kg | 12 Pcs |

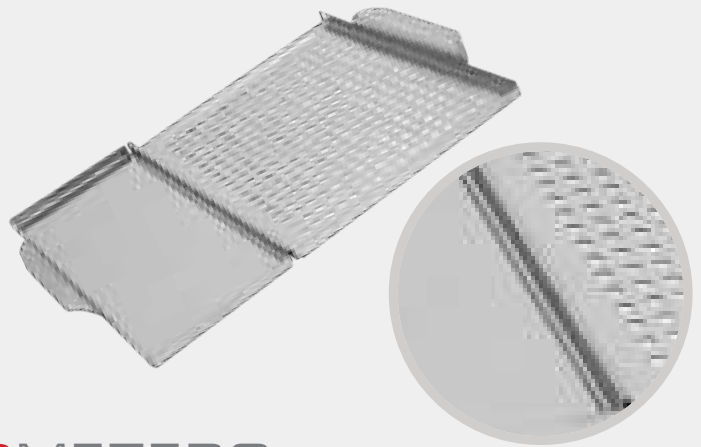


| | | | | |
|--|----------|------------|----------------|-------|
| Bull® V - Shaped Smoker Box | | | # 24112 | |
| Stainless Steel Construction, can be used with Wood Chips for an authentic wood smoke flavour on gas grills. | | | | |
| CTN Length | 0.22 Mts | CTN Height | 0.20 Mts | |
| CTN Width | 0.26 Mts | CTN Weight | 2.25 Kg | 6 Pcs |



GRILLING AIDS

| | | | | |
|--|----------|----------------|----------|-------|
| Bull® Dual Grilling Grid & Plank Saver | | # 24286 | | |
| S/Steel Construction. Dual Grilling Grid and Plank Saver gives you the versatility to grill small items that normally fall through the grill grates. | | | | |
| CTN Length | 0.33 Mts | CTN Height | 0.11 Mts | |
| CTN Width | 0.45 Mts | CTN Weight | 8.10 Kg | 6 Pcs |



THERMOMETERS

| | | | | |
|---|----------|----------------|----------|-------|
| Bull® Instant Digital Thermometer | | # 24137 | | |
| Instant response with folding probe, locks into multiple angles, switches between Fahrenheit and Celsius. | | | | |
| CTN Length | 0.22 Mts | CTN Height | 0.20 Mts | |
| CTN Width | 0.13 Mts | CTN Weight | 0.80 Kg | 6 Pcs |



| | | | | |
|--|----------|----------------|----------|-------|
| Bull® Reusable Steak Button Set of 4 | | # 24228 | | |
| With Silicon rings, cooks your steak exactly how you want it, temperature setting of rare, medium and well done. | | | | |
| CTN Length | 0.25 Mts | CTN Height | 0.12 Mts | |
| CTN Width | 0.17 Mts | CTN Weight | 0.91 Kg | 6 Pcs |



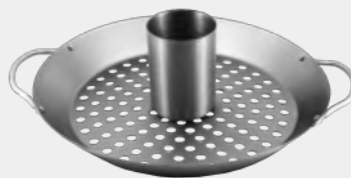
GRILL TOP COOKING

| | | | | |
|------------------------------|----------|----------------|----------|-------|
| Bull® Traditional Wok | | # 24260 | | |
| Made to fit Power Burner. | | | | |
| CTN Length | 0.52 Mts | CTN Height | 0.44 Mts | |
| CTN Width | 1.01 Mts | CTN Weight | 17.0 Kg | 4 Pcs |

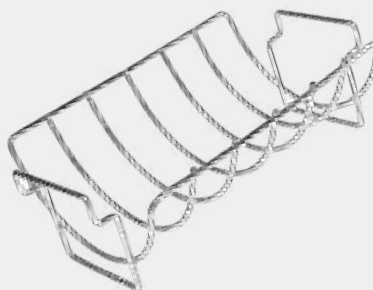


GRILL TOP COOKING

| | | | | |
|--|----------|----------------|----------|-------|
| Bull® Convertible Wok/Rack | | # 24106 | | |
| Convertible Wok / Vertical Poultry Rack | | | | |
| Stainless Steel Construction with removable Basting Cup. | | | | |
| CTN Length | 0.33 Mts | CTN Height | 0.34 Mts | |
| CTN Width | 0.33 Mts | CTN Weight | 2.20 Kg | 4 Pcs |



| | | | | |
|---|----------|----------------|----------|-------|
| Bull® Reversible Roasting/Rib Rack | | # 24107 | | |
| S/ Steel Construction, grills up to six slabs of ribs upright at one time and can grill a whole turkey, chicken or large roast. | | | | |
| CTN Length | 0.42 Mts | CTN Height | 0.28 Mts | |
| CTN Width | 0.27 Mts | CTN Weight | 4.08 Kg | 6 Pcs |



| | | | | |
|---|----------|----------------|----------|-------|
| Bull® Chili Pepper Grill Rack & Knife | | # 24116 | | |
| Stainless Steel Construction, Patented Pepper Corer, holds 18 Peppers. Wood handle knife. | | | | |
| CTN Length | 0.29 Mts | CTN Height | 0.19 Mts | |
| CTN Width | 0.31 Mts | CTN Weight | 2.89 Kg | 6 Pcs |



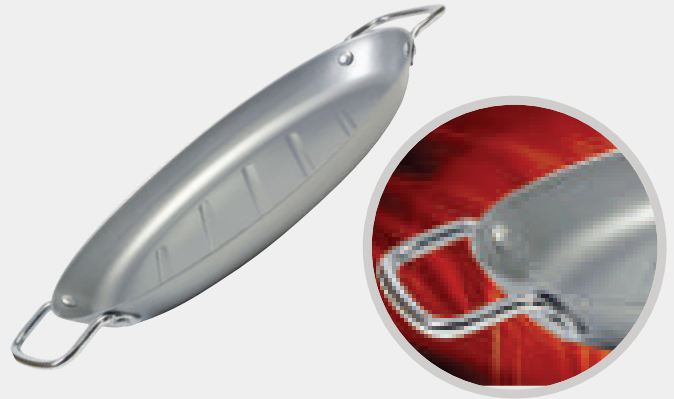
GRILL TOP COOKING

| | | | | |
|---|----------|----------------|----------|-------|
| Bull® Non-Stick Square Grill Pan | | # 24120 | | |
| S/ Steel Construction, silver non-stick finish and indented corners for pouring excess liquids. | | | | |
| CTN Length | 0.41 Mts | CTN Height | 0.13 Mts | |
| CTN Width | 0.31 Mts | CTN Weight | 4.67 Kg | 4 Pcs |



GRILL TOP COOKING

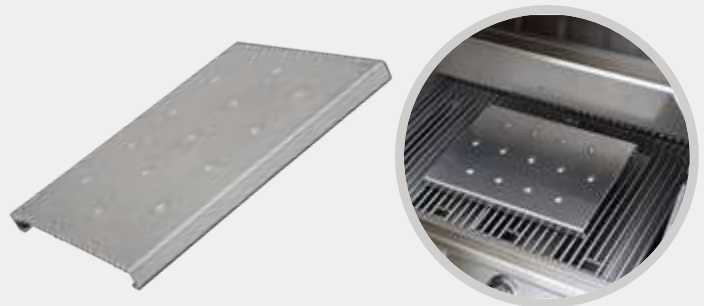
| | | | | |
|--|----------|------------|----------------|-------|
| Bull® Non-Stick Oval Grill Pan | | | # 24121 | |
| S/Steel Construction, silver non-stick finish great for grilling fish, small vegetables, and other delicate foods. | | | | |
| CTN Length | 0.42 Mts | CTN Height | 0.15 Mts | |
| CTN Width | 0.23 Mts | CTN Weight | 5.61 Kg | 6 Pcs |



| | | | | |
|---|----------|------------|----------------|-------|
| Bull® Sauce Pot & Basting Brush | | | # 24129 | |
| Pre seasoned Cast Iron Grill Sauce Pot, comes with a Silicon and Stainless Steel Basting Brush. | | | | |
| CTN Length | 0.35 Mts | CTN Height | 0.11 Mts | |
| CTN Width | 0.24 Mts | CTN Weight | 4.21 Kg | 4 Pcs |



| | | | | |
|---|----------|------------|----------------|-------|
| Bull® BBQ Oven Plate | | | # 24165 | |
| Stainless Steel Construction, turns your conventional oven into a Confectioner oven to make scrumptious desserts. | | | | |
| CTN Length | 0.42 Mts | CTN Height | 0.04 Mts | |
| CTN Width | 0.32 Mts | CTN Weight | 2.45 Kg | 1 Pcs |



| | | | | |
|--|----------|------------|----------------|-------|
| Bull® S/Steel Grill Clips x 4 | | | # 24206 | |
| S/ Steel Construction , Helps to grill individual portions of vegetables with ease and ideal for long type vegetables. | | | | |
| CTN Length | 0.32 Mts | CTN Height | 0.13 Mts | |
| CTN Width | 0.26 Mts | CTN Weight | 2.60 Kg | 6 Pcs |



GRILLING BASKETS

| | | | | |
|--|----------|----------------|----------|-------|
| Bull® Flexible Grilling Basket | | # 24109 | | |
| S/Steel Construction, Flexi wire that expands to shape of your food. Great for Chicken, fish and veg, with stay cool handle. | | | | |
| CTN Length | 0.57 Mts | CTN Height | 0.12 Mts | |
| CTN Width | 0.43 Mts | CTN Weight | 5.59 Kg | 6 Pcs |

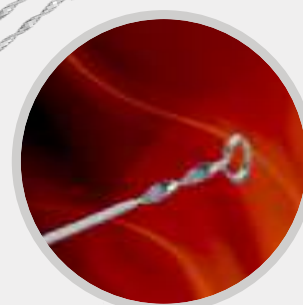


| | | | | |
|--|----------|----------------|----------|-------|
| Bull® Stuff-A-Burger Basket & Press | | # 24226 | | |
| S/Steel Construction, Personalise your burger by stuffing it with your favourite filling and cook to perfection. | | | | |
| CTN Length | 0.54 Mts | CTN Height | 0.30 Mts | |
| CTN Width | 0.35 Mts | CTN Weight | 5.85 Kg | 6 Pcs |

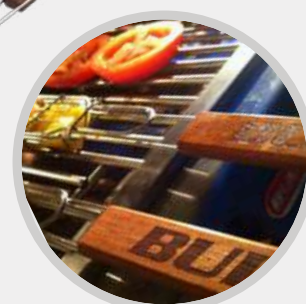


KNOBS & SKEWERS

| | | | | |
|---|----------|----------------|----------|-------|
| Bull® Jumbo Diablo Skewer Set x 2 (70cm Long) | | # 24280 | | |
| S/Steel Construction, designed for the new Bull 117cm Diablo BBQ For skewering whole Cornish game hens, or large cuts of veg. | | | | |
| CTN Length | 0.11 Mts | CTN Height | 0.05 Mts | |
| CTN Width | 0.78 Mts | CTN Weight | 0.40 Kg | 1 Pcs |



| | | | | |
|---|----------|----------------|----------|-------|
| Bull® Single Kabob Basket Set x 4 | | # 24113 | | |
| S/Steel Construction, Rosewood handles, grills kabobos without skewering, great for vegetables and chicken. | | | | |
| CTN Length | 0.63 Mts | CTN Height | 0.18 Mts | |
| CTN Width | 0.22 Mts | CTN Weight | 7.20 Kg | 6 Pcs |



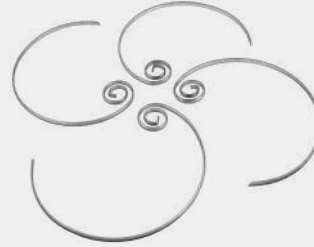
KNOBS & SKEWERS

**Bull® Circle Kabob Skewers
Set x 4**

24119

S/Steel Construction, curved to fit round plates, the unique shape skewers makes for great presentation.

| | | | | |
|------------|----------|------------|----------|-------|
| CTN Length | 0.44 Mts | CTN Height | 0.12 Mts | |
| CTN Width | 0.20 Mts | CTN Weight | 1.48 Kg | 6 Pcs |



**Bull® Double Prong Skewers
Set x 4**

24122

Stainless Steel Construction, wood handles. Extra wide Prong skewers food from slipping and spinning.

| | | | | |
|------------|----------|------------|----------|-------|
| CTN Length | 0.44 Mts | CTN Height | 0.15 Mts | |
| CTN Width | 0.21 Mts | CTN Weight | 2.54 Kg | 6 Pcs |

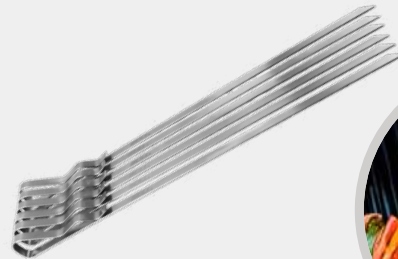


Bull® Signature Skewers Set x 6

24123

S/Steel Construction, Extra wide skewers keeps food from slipping and spinning.

| | | | | |
|------------|----------|------------|----------|-------|
| CTN Length | 0.49 Mts | CTN Height | 0.15 Mts | |
| CTN Width | 0.21 Mts | CTN Weight | 3.80 Kg | 6 Pcs |

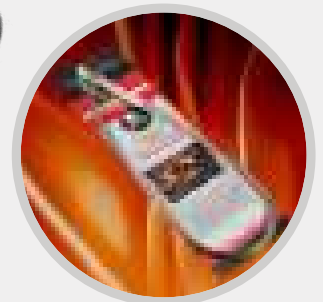
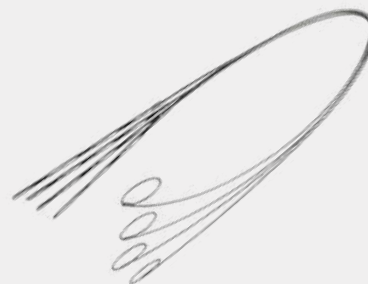


**Bull® Flexible Wire Skewers
Set x 4**

24124

S/Steel Construction, flexible design holds more and allows for more effective use of space on the grill.

| | | | | |
|------------|----------|------------|----------|--------|
| CTN Length | 0.09 Mts | CTN Height | 0.12 Mts | |
| CTN Width | 0.24 Mts | CTN Weight | 1.00 Kg | 12 Pcs |



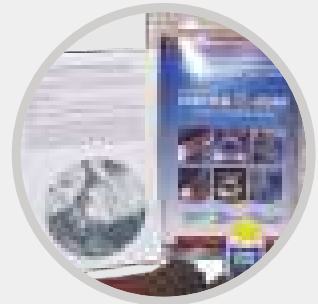
CHARCOAL

| | | | | |
|---|----------|----------------|----------|-------|
| Bull® Lump Charcoal | | # 66538 | | |
| The natural mesquite Bull Lump Charcoal burns longer with more flavour than regular charcoal. | | | | |
| CTN Length | 0.42 Mts | CTN Height | 0.55 Mts | |
| CTN Width | 0.16 Mts | CTN Weight | 10.0 Kg | 1 Pcs |



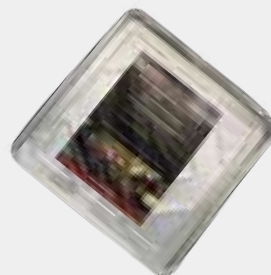
REPAIR & CLEANING TOOLS

| | | | | |
|---|----------|----------------|----------|--------|
| Scratch-B-Gone Homeowners Kit | | # 02043 | | |
| Removes scratches, rust, heat scorch, and stains from your S/ Steel Barbecue, Sink and Appliance. Residential-size kit. | | | | |
| CTN Length | 0.46 Mts | CTN Height | 0.35 Mts | |
| CTN Width | 0.37 Mts | CTN Weight | 3.10 Kg | 10 Pcs |



REPAIR & CLEANING TOOLS

| | | | | |
|--|----------|----------------|----------|--------|
| 60 cm Grill Grease Foil Tray Liners | | # 24267 | | |
| Pack of 3, fits Steer and Plancha Grill. Disposable and easy to install, (Size 41 x 38cm). | | | | |
| CTN Length | 0.46 Mts | CTN Height | 0.90 Mts | |
| CTN Width | 0.48 Mts | CTN Weight | 6.50 Kg | 48 Pcs |



| | | | | |
|--|----------|----------------|----------|--------|
| 76 cm Grill Grease Foil Tray Liners | | # 24255 | | |
| Pack of 3, fits most Grills such as BULL Angus, Lonestar Select & Outlaw Grills. Disposable and easy to install, (Size 53 x 39cm). | | | | |
| CTN Length | 0.59 Mts | CTN Height | 0.22 Mts | |
| CTN Width | 0.44 Mts | CTN Weight | 2.91 Kg | 12 Pcs |



REPAIR & CLEANING TOOLS

97 cm Grill Grease Foil Tray Liners

24256

Pack of 3, fits 97cm Grills and perfectly fits the BULL Brahma Grill.
Disposable and easy to install, (Size 72 x 39cm).

| | | | | |
|------------|----------|------------|----------|--------|
| CTN Length | 0.79 Mts | CTN Height | 0.22 Mts | |
| CTN Width | 0.44 Mts | CTN Weight | 2.55 Kg | 12 Pcs |



Bull® Long Handle Spiral Brush

24236

With 2 Hand Grip - Colour Red.

| | | | | |
|------------|----------|------------|----------|--------|
| CTN Length | 0.44 Mts | CTN Height | 0.17 Mts | |
| CTN Width | 0.27 Mts | CTN Weight | 3.40 Kg | 12 Pcs |

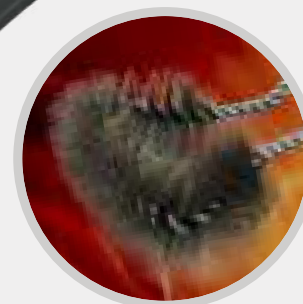


Bull® Long Handle Spiral Brush

24237

Colour Grey & Red.

| | | | | |
|------------|----------|------------|----------|--------|
| CTN Length | 0.44 Mts | CTN Height | 0.12 Mts | |
| CTN Width | 0.26 Mts | CTN Weight | 2.13 Kg | 12 Pcs |



Bull® Dual Handle Monster Brush

24238

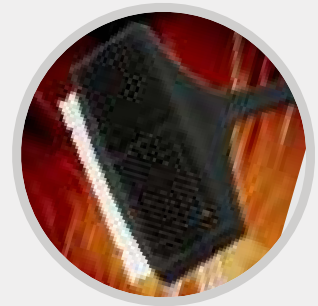
Spiral Head with replaceable head #24239.

| | | | | |
|------------|----------|------------|----------|-------|
| CTN Length | 0.56 Mts | CTN Height | 0.24 Mts | |
| CTN Width | 0.18 Mts | CTN Weight | 3.00 Kg | 6 Pcs |



REPAIR & CLEANING TOOLS

| | | | | |
|--|----------|------------|----------------|-------|
| Bull® Dual Handle Mega Monster Brush | | | # 24141 | |
| TDual Handle Mega Monster Brush has stainless steel bristles, a grill scraper, and a hook for hanging. | | | | |
| CTN Length | 0.57 Mts | CTN Height | 0.23 Mts | |
| CTN Width | 0.25 Mts | CTN Weight | 4.20 Kg | 6 Pcs |

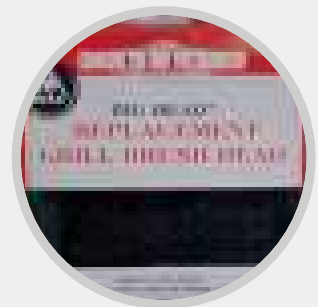


| | | | | |
|---|----------|------------|----------------|--------|
| Bull® Plastic Brush with Long Handle | | | # 24139 | |
| Two in One Plastic Handle Brush with S/Steel Bristle and Nylon Grid scraper. (Image viewing brush on both sides). | | | | |
| CTN Length | 0.49 Mts | CTN Height | 0.15 Mts | |
| CTN Width | 0.24 Mts | CTN Weight | 3.96 Kg | 12 Pcs |



Grill Brush Replacement Heads

| | | | | |
|--|----------|------------|----------------|-------|
| Bull® Replacement Head | | | # 24235 | |
| Big Head Grill Brush Replacement Head for #24103 & #24218. | | | | |
| CTN Length | 0.13 Mts | CTN Height | 0.12 Mts | |
| CTN Width | 0.23 Mts | CTN Weight | 1.00 Kg | 6 Pcs |



| | | | | |
|---|----------|------------|----------------|--------|
| Bull® Replacement Head | | | # 24239 | |
| Dual Handle Spiral Head Monster Brush Replacement for #24238. | | | | |
| CTN Length | 0.25 Mts | CTN Height | 0.15 Mts | |
| CTN Width | 0.17 Mts | CTN Weight | 1.72 Kg | 12 Pcs |



TUMBLERS

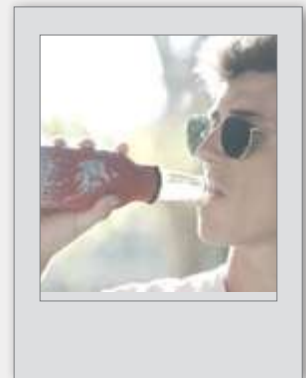
| | | | | |
|---|----------|----------------|----------|-------|
| 592ml. ReliaBull Tumbler | | # 12000 | | |
| Stainless steel tumbler, Vacuum Insulated technology, keeps beverages hot or cold for an extremely long amount of time. | | | | |
| CTN Length | 0.20 Mts | CTN Height | 0.18 Mts | |
| CTN Width | 0.02 Mts | CTN Weight | 1.50 Kg | 4 Pcs |



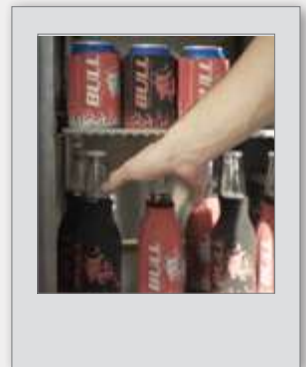
| | | | | |
|--|----------|----------------|----------|-------|
| 887ml. ReliaBull Tumbler | | # 12001 | | |
| XL Stainless steel tumbler, Vacuum Insulated technology, keeps beverages hot or cold for an extremely long amount of time. | | | | |
| CTN Length | 0.22 Mts | CTN Height | 0.21 Mts | |
| CTN Width | 0.22 Mts | CTN Weight | 2.00 Kg | 4 Pcs |



| | | |
|---|--|------------------------|
| Neoprene Bottle Koozies | | #27001 / #27002 |
| Keep your bottled drinks cool while you cook. | | |
| Available in red #27001 or black #27002. | | |



| | | |
|--|--|-------------------------|
| Neoprene Can Koozies | | # 27003 / #27004 |
| Keep your canned drinks cool while you cook. | | |
| Available in red #27003 or black #27004. | | |



**The objective of Bull is to provide the
"Ultimate Outdoor Experience"**



We produce a quality product for more than half the price of our competitors. We can achieve this because our focus is only on the barbecue business.

By focusing on our core element, we can guarantee continuous improvement in quality and performance, both in our products and operations.

We work closely with designers, builders and contractors to make sure that our products are in line with the market requirements.

visit bullbbq.eu or contact us at (356) 99 79 20 77
The Brand Choice for Commercial and Professional BBQ's

email: info@bullbbq.eu - web: www.bullbbq.eu
Zamco Building, Mill Street, Qomi - QRM 3103 - Malta - Tel: (+356) 99 79 20 77



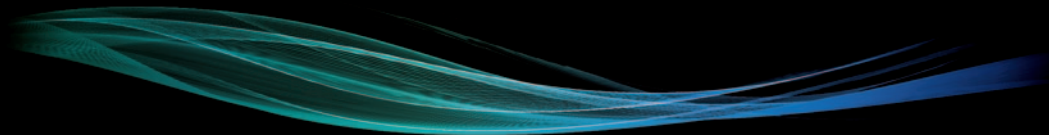
©2018 Bull Outdoor Products. All Rights Reserved.

R180727A



D E S I G N | C O N S T R U C T I O N | I N N O V A T I O N

To turn your dreams into reality - contact us today for a free design consultation



CENTURION LEISURE

214 High Street, Hornchurch, Essex RM12 6QP

Call us on: 01708 463 090 or 01708 620 520

Email us at: info@centurionleisure.co.uk

www.centurionleisure.co.uk